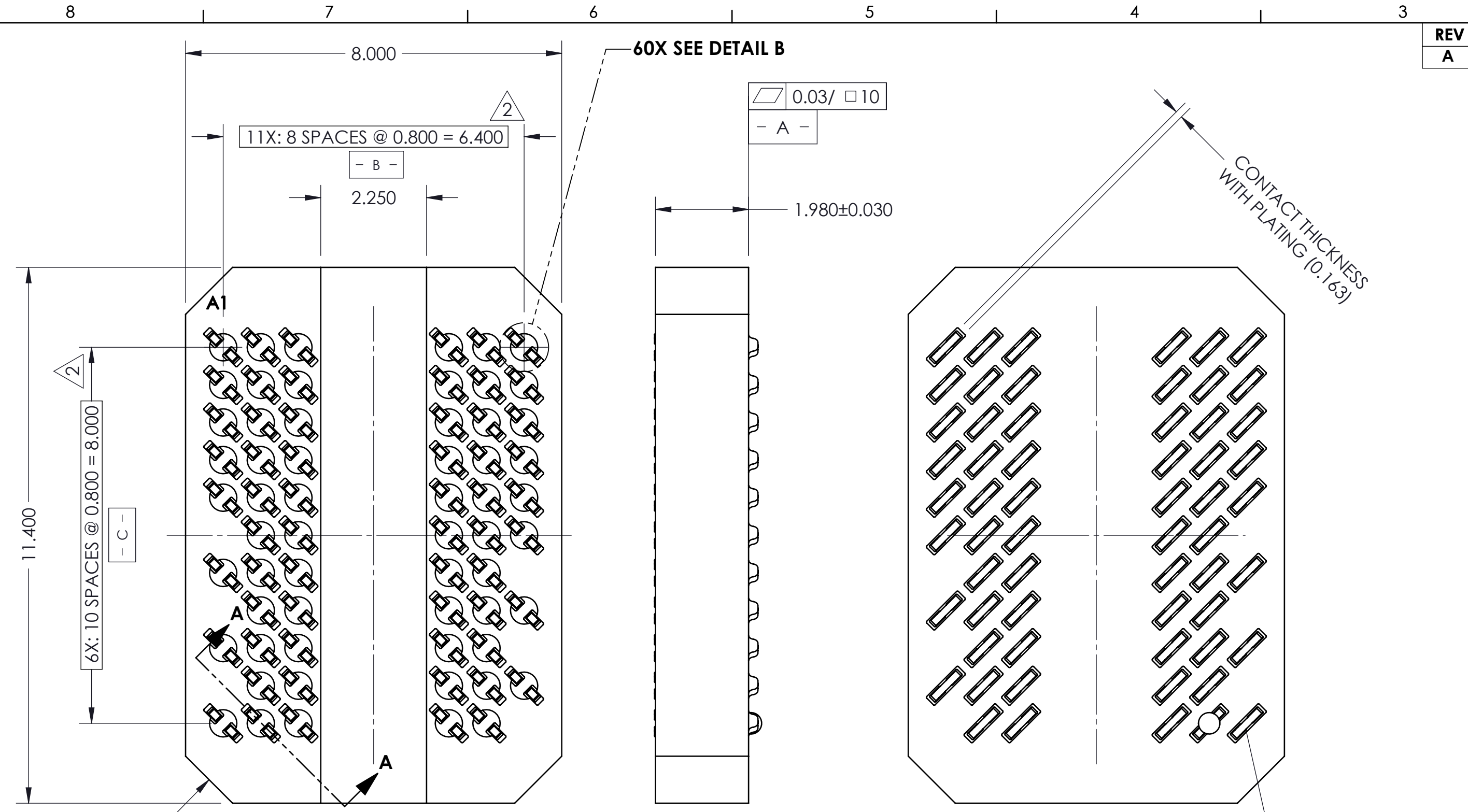
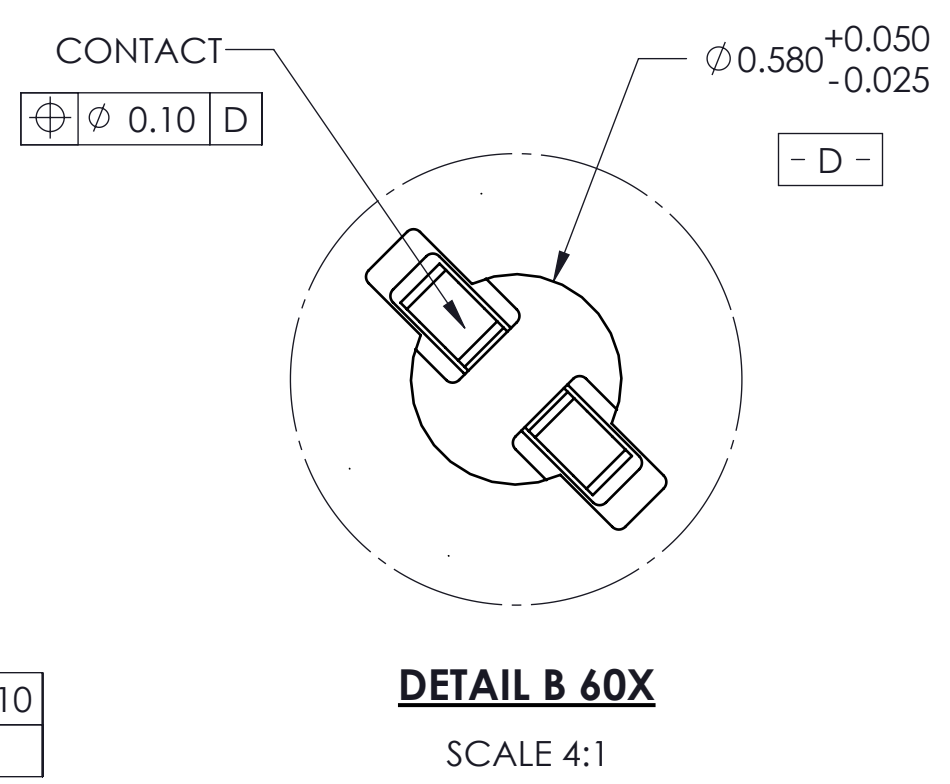
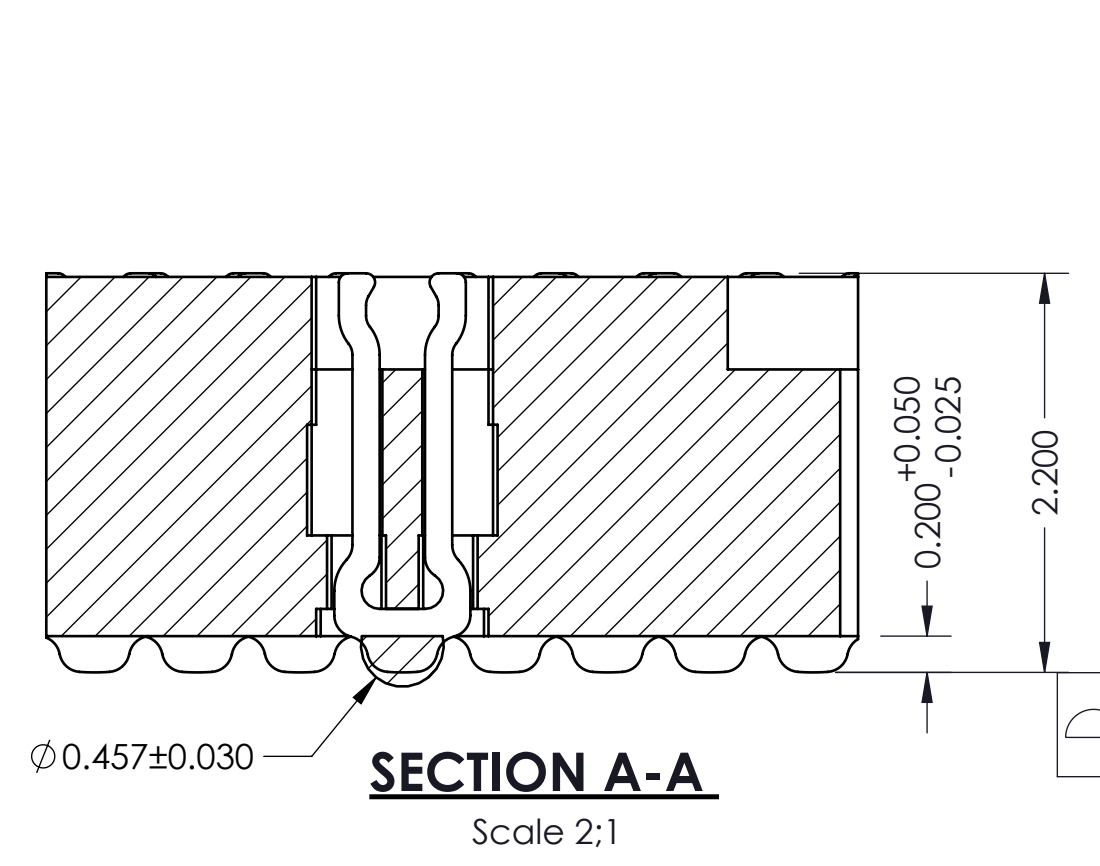
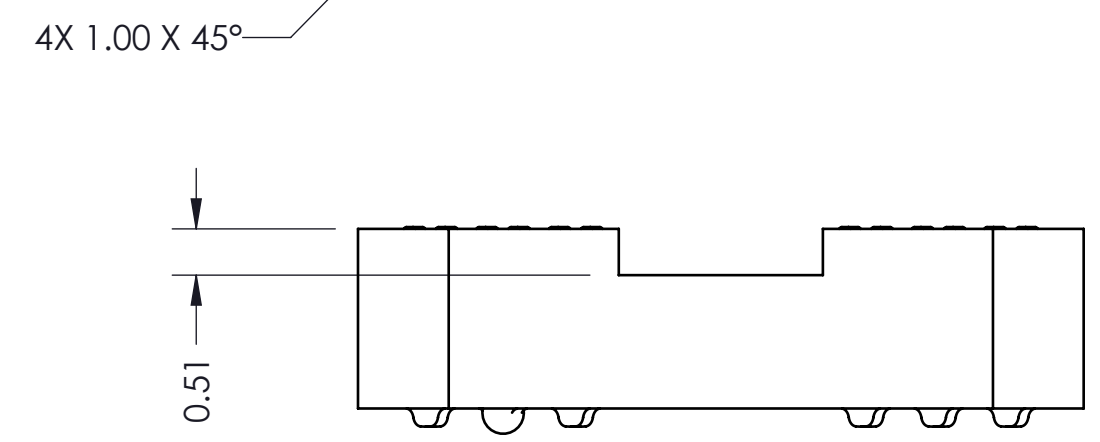


REV	ECO	BY	DESCRIPTION	APV	DATE
A	6367	DJP	INITIAL DESIGN	SRS	8/17/21



- Notes:
- Footprint part number is 104311-0212.
 - Locates center of contact slots.
 - Press size: 8.0 x 12.5
 - Datum B and C determined by $\phi 0.580$ opening in corner slots.

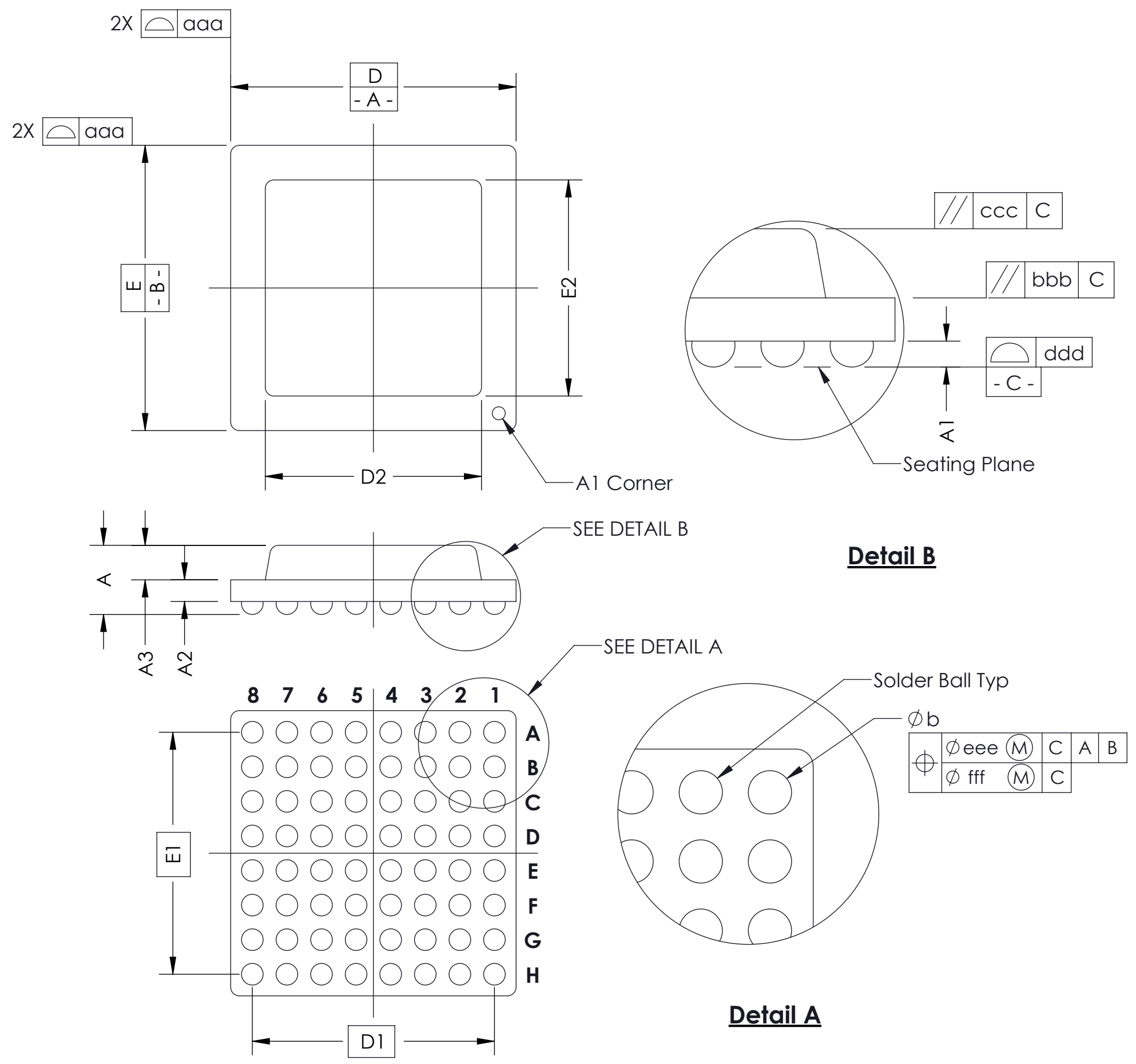
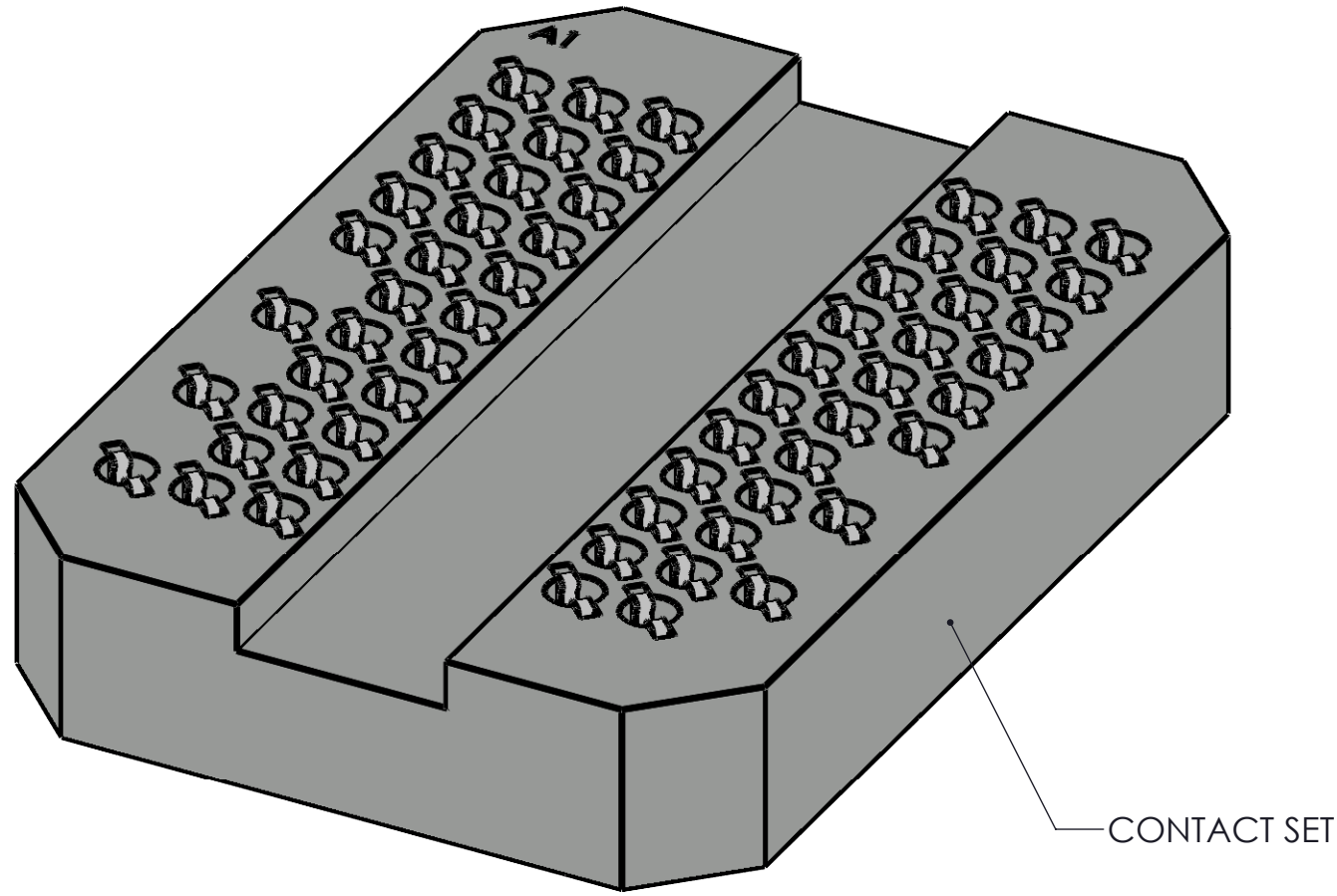


PARTS LIST	
Part Number	Description
105526-0068	SOCKET,60GRY8x11.4-0.80
105528-0068	CS, 60GRY8x11.4-0.80
103864-0108	PRESS, DEV INS, 8.0X11.4 (SOLD SEP.)
104553-0169	STEN,FLEX,60GRY8x11.4-0.80 (SOLD SEP.)

UNLESS OTHERWISE SPECIFIED - DIMENSIONS ARE IN MILLIMETERS - DIMS APPLY AFTER PLATING TOLERANCES UNLESS OTHERWISE NOTED: ANGLES ±1° DECIMALS X.X ±0.25 X.XX ±0.10 X.XXX ±0.050		THE INFORMATION CONTAINED IN THIS DRAWING IS THE SOLE PROPERTY OF R&D INTERCONNECT SOLUTIONS. ANY REPRODUCTION IN PART OR WHOLE WITHOUT THE WRITTEN PERMISSION OF R&D INTERCONNECT SOLUTIONS IS PROHIBITED.	
CAD GENERATED DRAWING DO NOT MANUALLY UPDATE		IRONWOOD ELECTRONICS, INC 1335 EAGANDALE CT EAGAN, MN 55121. (952) 229-8200	SCKT, 60GRY8X11.4-0.80, DS, SAC305
DRAWING APPROVALS			
NAME	DATE	SCALE	CAD FORMAT
DRAWN: DJP	8/17/21	C	SOLIDWORKS
APPVD: SRS	8/17/21	DRAWING NO.	REV.
THIRD ANGLE PROJECTION		105526-0099	A
LEGEND:	(X) NOTE CALLOUT	(A) REVISION CHANGE	(X) ITEM NUMBER
SCALE		MATERIAL	SHEET
		SEE BOM	1 of 2

SOCKET FOR DEVICES THAT ARE WITHIN THESE SPECIFICATIONS					
Lead Count	N	60	Package Size	D	8.00
Columns	ND	6	Ball Spacing	E	11.40
Rows	NE	11	Encapsulant/ Top Size	D1	6.40
Pitch	e	0.80	Encapsulant/ Bottom Size	E1	8.00
Ball Size	b	0.45±0.05	Perimeter Rows	D2	n/a
Total Thickness	A	N/A	Center Array	E2	n/a
Ball Height	A1	0.275 Min	Pattern Style	Irregular*	
Substrate Thickness	A2	N/A			
Top Thickness	A3	N/A			
Form Tolerances					
Edge	aaa	0.20	Bottom	ddd	0.15
Substrate	bbb	0.20	Position	eee	0.20
Top	ccc	0.20	Position	fff	0.08

All dimensions are in millimeters.
*See footprint specification for pattern details.



Generic Representation with Full Grid Array

THE INFORMATION CONTAINED IN THIS DRAWING IS THE SOLE PROPERTY OF IRONWOOD ELECTRONICS, INC. ANY REPRODUCTION IN PART OR WHOLE WITHOUT THE WRITTEN PERMISSION OF IRONWOOD ELECTRONICS, INC IS PROHIBITED.

UNLESS OTHERWISE SPECIFIED
- DIMENSIONS ARE IN MILLIMETERS
- DIMS APPLY AFTER PLATING
TOLERANCES UNLESS OTHERWISE NOTED: DECIMALS
ANGLES X.X ±0.25
 ±1° X.XX ±0.10
 X.XXX ±.050

LEGEND:
 (X) NOTE CALLOUT
 (A) REVISION CHANGE
 (X) ITEM NUMBER

IRONWOOD ELECTRONICS, INC
1335 EAGANDALE CT
EAGAN, MN 55121. (952) 229-8200

SCKT, 60GRY8X11.4-0.80, DS, SAC305

SIZE	CAD FORMAT	DRAWING NO.	REV.
C	SOLIDWORKS	105526-0099	A
SCALE	MATERIAL	See Page 1	
		SHEET 2 of 2	