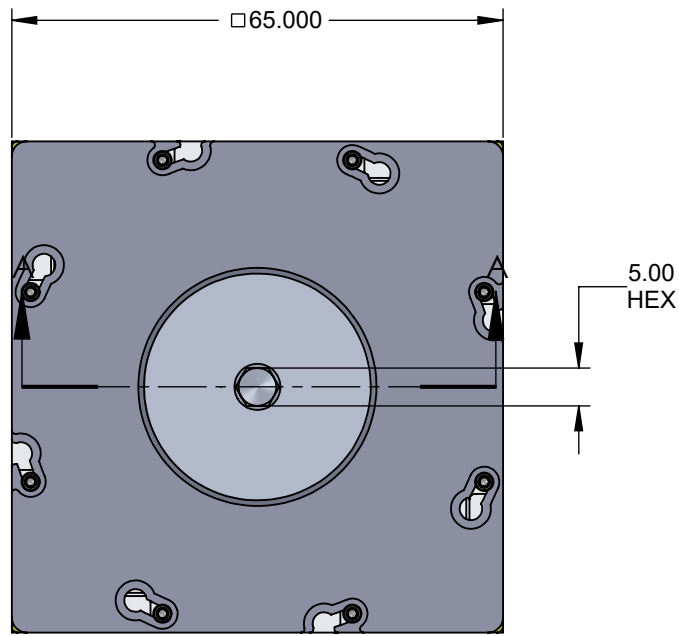
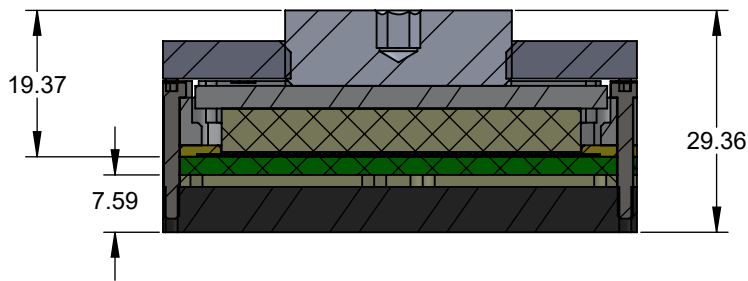
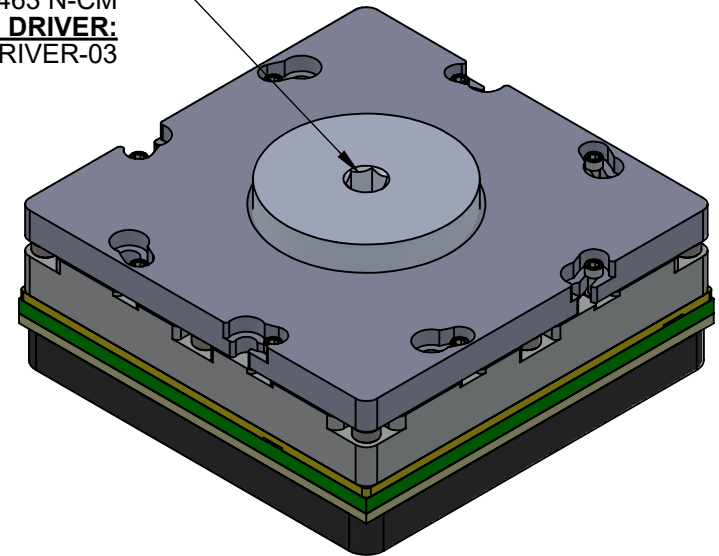


Features

- Direct mounts to target PCB with hardware.
- High speed, reliable connection
- Minimum real estate required
- Easily removalbe swivel socket lid
- Wide temperature range (-55C to +160C)
- High current capability (up to 4A)
- Excellent signal integrity at high frequencies




REQUIRED TORQUE:
25 - 41 IN-LBF, 282.5 - 463 N-CM
RECOMMENDED TORQUE DRIVER:
TL-TORQUEDRIVER-03



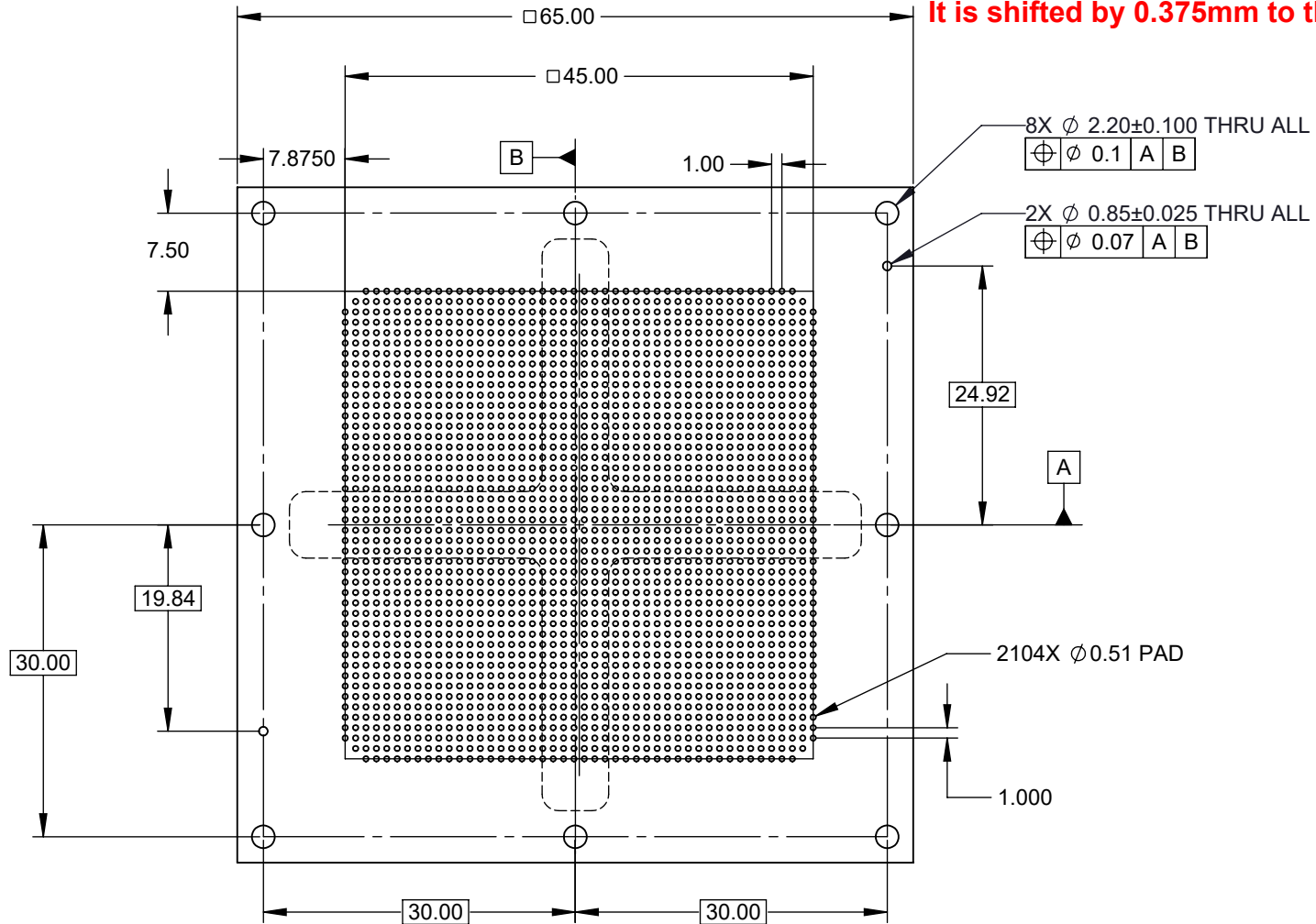
SECTION A-A

Description: GT-BGA2104, 47.5x47.5mm, 46x46 Array, 1.00mm Pitch

Primary dimension units are millimeters, Secondary dimension units are [inches], Weight is in grams.
Tolerances: Hole diameters $\pm 0.0254\text{mm}$ [$\pm 0.001"$], Pitches (from true position) $\pm 0.0254\text{mm}$ [$\pm 0.001"$],
substrate thickness tolerance $\pm 10\%$, all other tolerances $\pm 0.127\text{mm}$ [$\pm 0.005"$]
unless stated otherwise. Materials and specifications are subject to change without notice.

 GT-BGA-2080 Drawing ©2018 Ironwood Electronics, Inc. Tele: (800) 404-0204 www.ironwoodelectronics.com	Material: N/A Finish: N/A Weight: 243.85	STATUS: Quality Approval Pending	SHEET: 1 OF 4	REV. A
		ENG: M. Raske	DRAWN BY: M. Raske	SCALE: 1:1
		FILE: GT-BGA-2080 Dwg	DATE: 6/21/2018	

***Note: BGA pattern is not symmetrical with respect to the mounting holes. It is shifted by 0.375mm to the right of center.**



TARGET PCB RECOMMENDATIONS

RECOMMENDATION LINK: [CLICK HERE](#)


TOTAL THICKNESS: 2MM- 3MM.

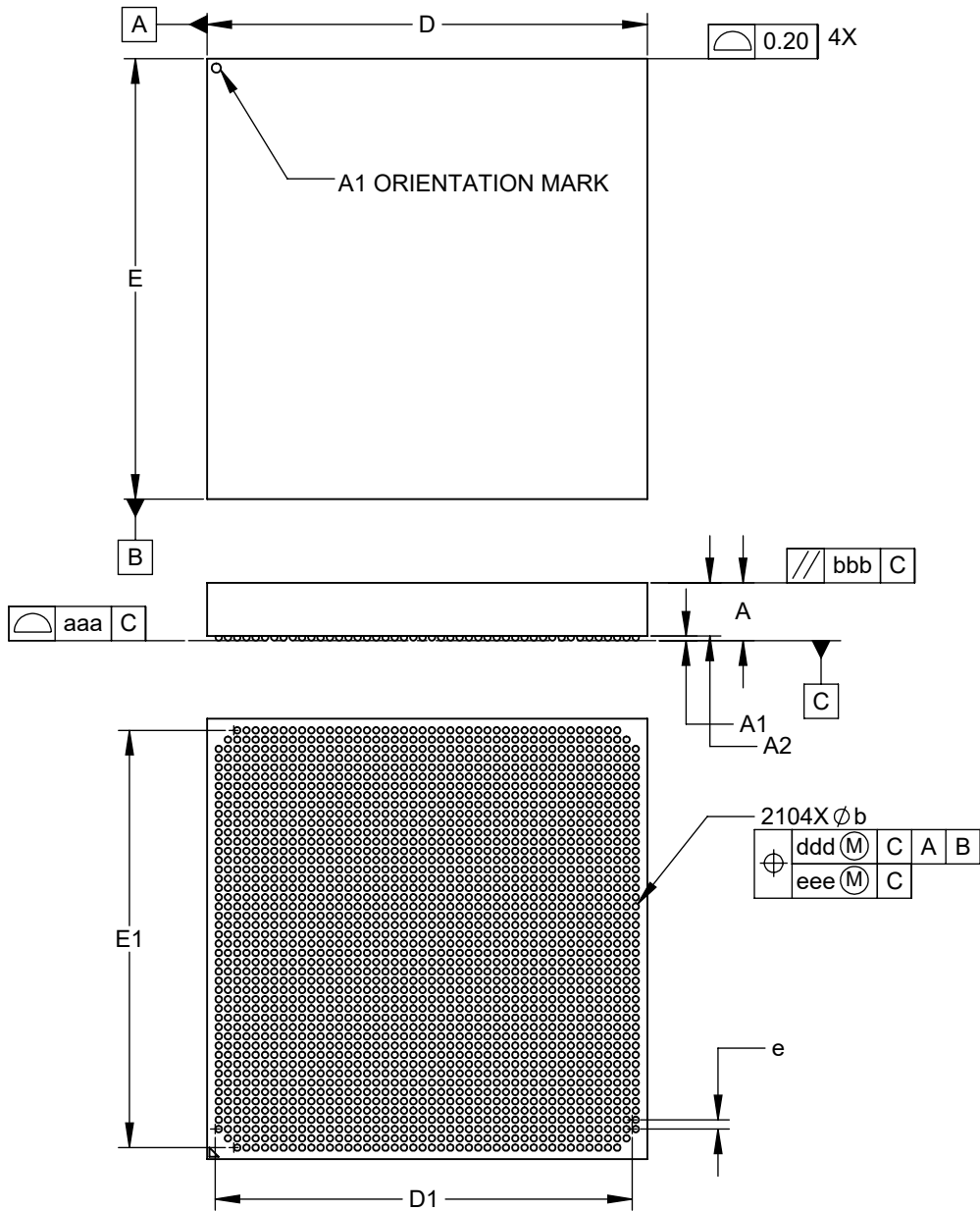
PLATING: GOLD OR SOLDER FINISH

PAD HEIGHT: SAME OR HIGHER THAN SOLDER MASK

Description: Recommended PCB layout

Primary dimension units are millimeters, Secondary dimension units are [inches], Weight is in grams.
 Tolerances: Hole diameters $\pm 0.0254\text{mm}$ [$\pm 0.001"$], Pitches (from true position) $\pm 0.0254\text{mm}$ [$\pm 0.001"$],
 substrate thickness tolerance $\pm 10\%$, all other tolerances $\pm 0.127\text{mm}$ [$\pm 0.005"$]
 unless stated otherwise. Materials and specifications are subject to change without notice.

 GT-BGA-2080 Drawing ©2018 Ironwood Electronics, Inc. Tele: (800) 404-0204 www.ironwoodelectronics.com	Material: N/A Finish: N/A Weight: 243.85	STATUS: Quality Approval Pending	SHEET: 2 OF 4	REV. A
		ENG: M. Raske	DRAWN BY: M. Raske	SCALE: 1.5:1
		FILE: GT-BGA-2080 Dwg	DATE: 6/21/2018	




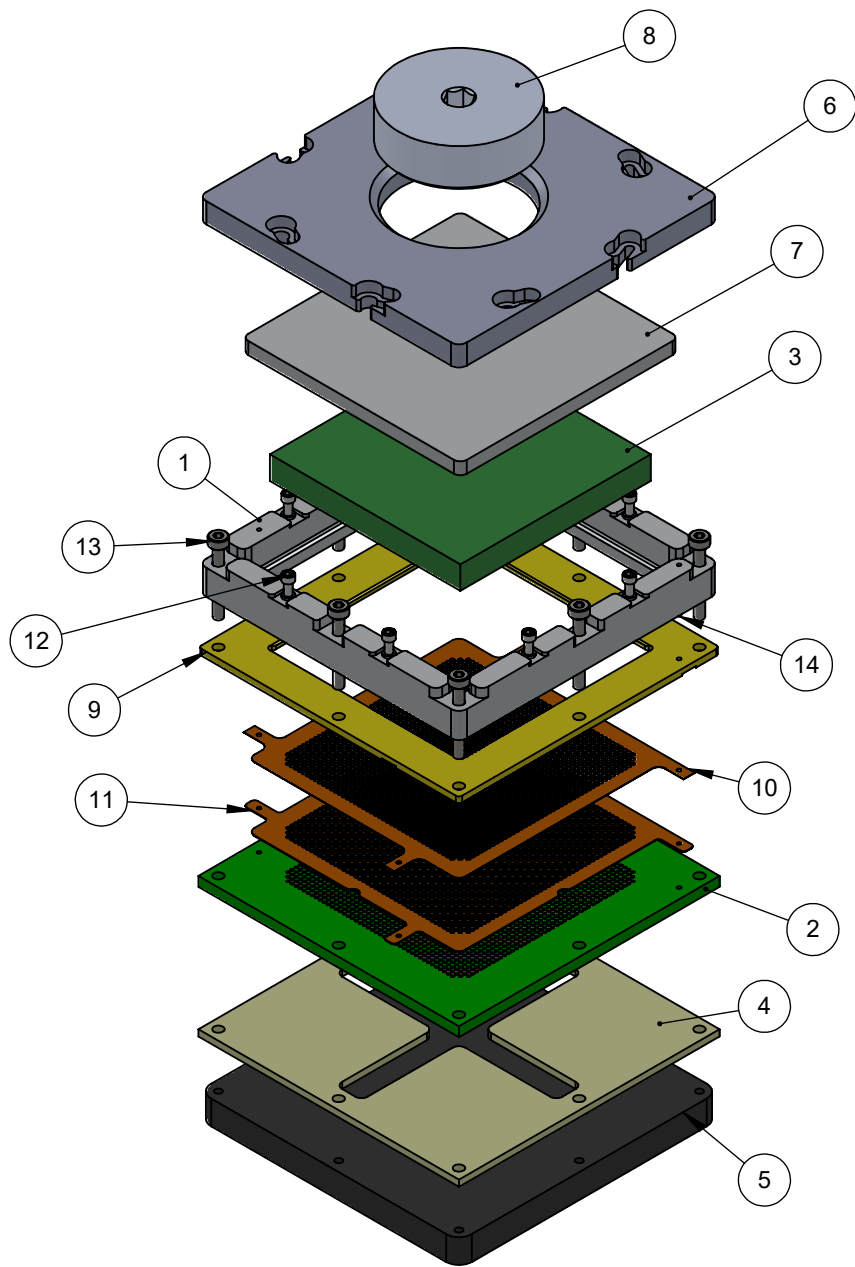
SYM	MIN	NOM	MAX
A	5.94	6.24	6.54
A1	0.40	0.50	0.60
A2	5.44	5.74	6.04
D/E	47.50 BASIC		
D1/E1	45.00 BASIC		
e	1.00 BASIC		
b	0.50	0.60	0.70
aaa	---	---	0.30
bbb	---	---	0.25
ddd	---	---	0.25
eee	---	---	0.10

IRONWOOD PACKAGE CODE: BGA2104A

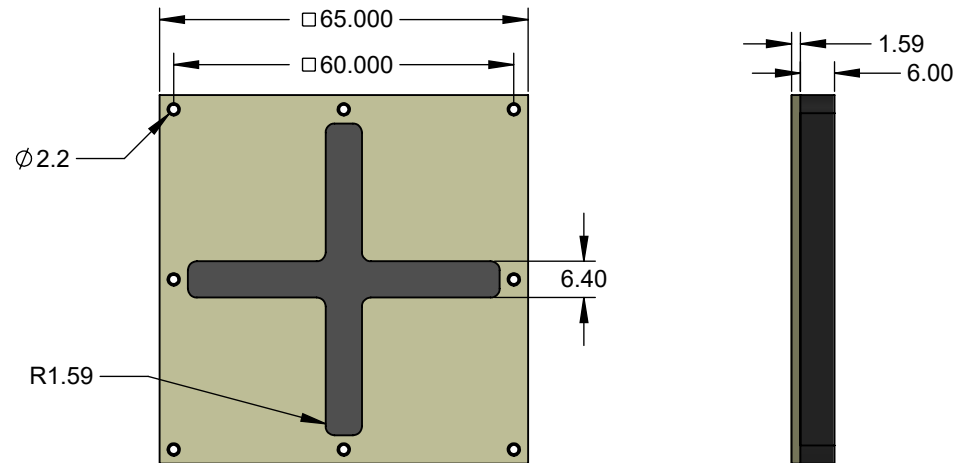
Description: Compatible Device

Primary dimension units are millimeters, Secondary dimension units are [inches], Weight is in grams.
 Tolerances: Hole diameters $\pm 0.0254\text{mm}$ [$\pm 0.001"$], Pitches (from true position) $\pm 0.0254\text{mm}$ [$\pm 0.001"$],
 substrate thickness tolerance $\pm 10\%$, all other tolerances $\pm 0.127\text{mm}$ [$\pm 0.005"$]
 unless stated otherwise. Materials and specifications are subject to change without notice.

 GT-BGA-2080 Drawing ©2018 Ironwood Electronics, Inc. Tele: (800) 404-0204 www.ironwoodelectronics.com	Material: N/A Finish: N/A Weight: 243.85	STATUS: Quality Approval Pending	SHEET: 3 OF 4	REV. A
		ENG: M. Raske	DRAWN BY: M. Raske	SCALE: 1.25:1
		FILE: GT-BGA-2080 Dwg	DATE: 6/21/2018	




ITEM NO.	DESCRIPTION	Material
1	Swivel Socket Base 52.5x52.5mm IC 8.5mm ht shifted	7075-T6 Aluminum Alloy
2	Test PCB	FR4
3	Test chip for 47.5x47.5mmmm 46x46, 1MM pitch	FR4 Standard
4	Insulation Plate 55mm	FR4 High temp
5	Backing Plate 55mm IC	7075-T6 Aluminum Alloy
6	Socket Lid for 55mm IC	7075-T6 Aluminum Alloy
7	Compression Plate	7075-T6 Aluminum Alloy
8	Compression Screw, M30 10mm Thick	7075-T6 Aluminum Alloy
9	IC Guide, 47.5x47.5mm IC, GT	Torlon 4203
10	Ball Guide, 47.5x47.5mm, 46x46 Array, 1.00mm Pitch, BGA2104	Kapton Polyimide/Cirlex
11	GTL, 47.5x47.5mm, 46x46 Array, 1.00mm Pitch, BGA2104	Conductive Elastomer
12	#0-80 Shoulder Screw, 2.29mm thread length	Stainless Steel (303)
13	Screw, M2x0.4 x 16mm, Cap, SS	Stainless Steel (18-8)
14	Dowel Pin, 1/32" x 3/16", SS	Chrome Stainless Steel



Description: Socket Assembly, Misc Detail

Primary dimension units are millimeters, Secondary dimension units are [inches], Weight is in grams.
 Tolerances: Hole diameters $\pm 0.0254\text{mm}$ [± 0.001 "], Pitches (from true position) $\pm 0.0254\text{mm}$ [± 0.001 "],
 substrate thickness tolerance $\pm 10\%$, all other tolerances $\pm 0.127\text{mm}$ [± 0.005 "]
 unless stated otherwise. Materials and specifications are subject to change without notice.

 GT-BGA-2080 Drawing ©2018 Ironwood Electronics, Inc. Tele: (800) 404-0204 www.ironwoodelectronics.com	Material: N/A Finish: N/A Weight: 243.85	STATUS: Quality Approval Pending	SHEET: 4 OF 4	REV. A
		ENG: M. Raske	DRAWN BY: M. Raske	SCALE: 0.75:1
		FILE: GT-BGA-2080 Dwg	DATE: 6/21/2018	