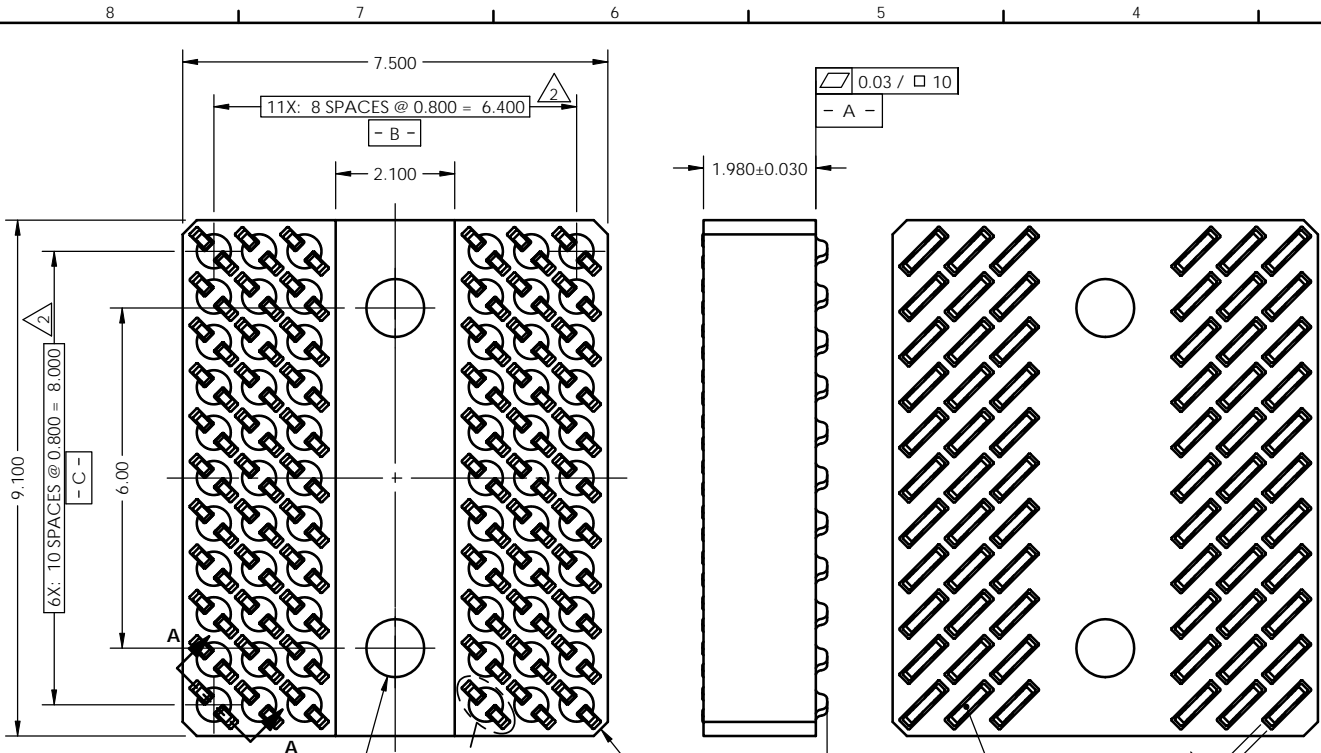
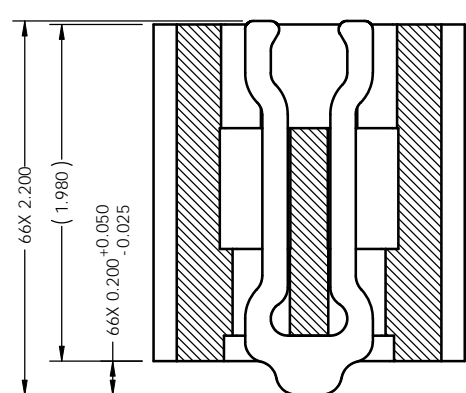
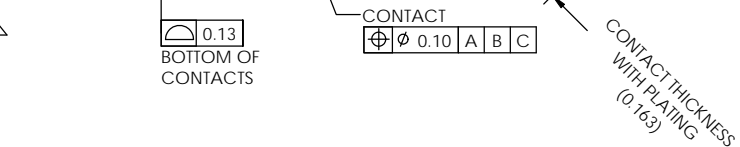
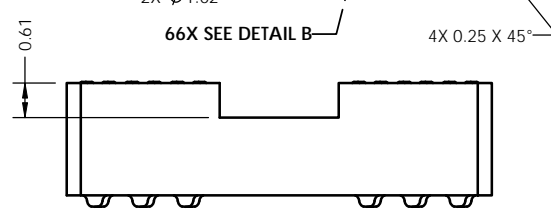


REV	ECO	BY	DESCRIPTION	APV	DATE
A		SK	Initial Design	MP	09/09/08
B	30998	SK	Updated to current stds.	KW	01/13/12

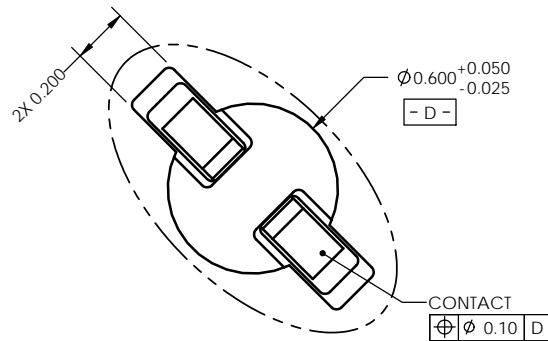


Notes:

- Footprint part number is 104311-0015.
- Locates center of contact slots.
- Press size 7.50 x 9.00.
- Datums **- B -** and **- C -** are determined by  $\phi 0.600$  opening in corner slots.
- Unless otherwise specified, all features located  $\begin{matrix} \oplus \\ \phi 0.10 \end{matrix} \begin{matrix} A \\ B \\ C \end{matrix}$



**SECTION A-A**  
SCALE 3:1

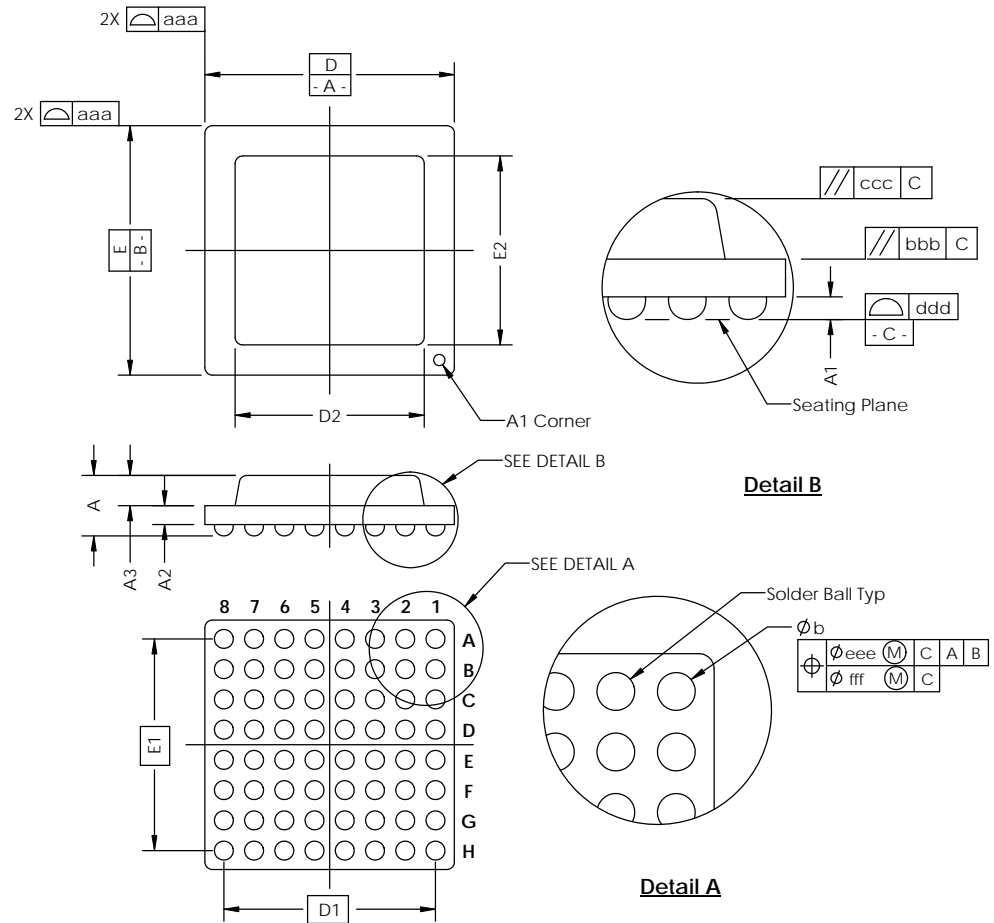
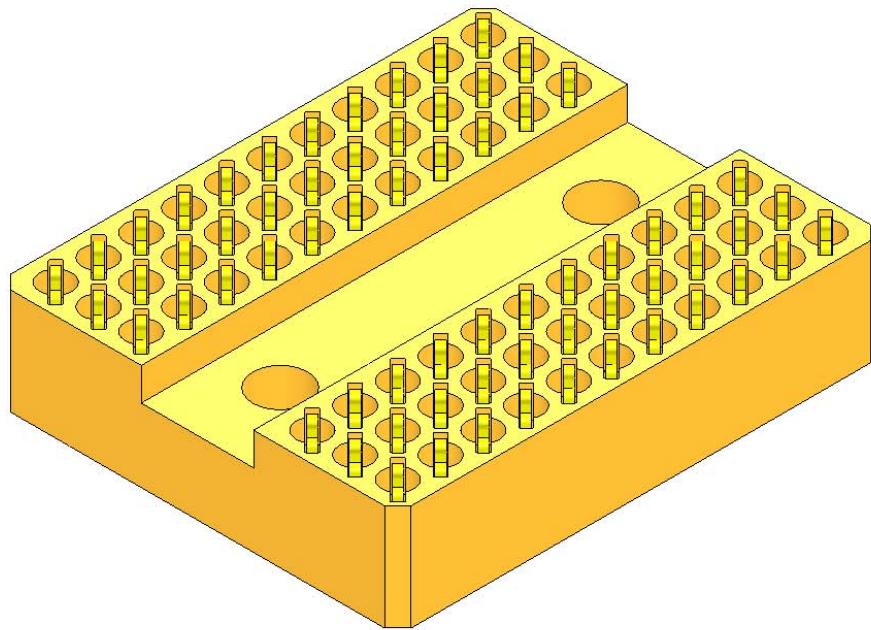


**DETAIL B**  
SCALE 5:1

UNLESS OTHERWISE SPECIFIED DIMENSIONS ARE IN MILLIMETERS DIM'S APPLY AFTER PLATING TOLERANCES UNLESS OTHERWISE NOTED:		THE INFORMATION CONTAINED IN THIS DRAWING IS THE SOLE PROPERTY OF RAD INTERCONNECT SOLUTIONS. ANY REPRODUCTION IN PART OR WHOLE WITHOUT THE WRITTEN PERMISSION OF RAD INTERCONNECT SOLUTIONS IS PROHIBITED.	
DRAWING APPROVALS		7115 NORTHLAND TERRACE SUITE 400 BROOKLYN PARK, MN 55428 (763) 509-0066	
DESIGN: <b>S. Klanderud</b>	DATE: 09/09/08	<b>SCKT, 66GRY7.5X9.1-0.80</b>	
APPROV: <b>M. Peery</b>	09/09/08		
THIRD ANGLE PROJECTION		SCALE: C	SHEET: 1 of 2
SEE BOM		PART NUMBER: <b>104670-0009</b>	

SOCKET FOR DEVICES THAT ARE WITHIN THESE SPECIFICATIONS				
Lead Count	<b>N</b>	66	Package Size	<b>D</b> 7.50
Columns	<b>ND</b>	9		<b>E</b> 9.10
Rows	<b>NE</b>	11	Ball Spacing	<b>D1</b> 6.40
Pitch	<b>e</b>	0.80		<b>E1</b> 8.00
Ball Size	<b>b</b>	0.50±0.05	Encapsulant/Top Size	<b>D2</b> n/a
Total Thickness	<b>A</b>	N/A	Pattern Style	<b>E2</b> n/a
Ball Height	<b>A1</b>	0.30 min		Irregular*
Substrate Thickness	<b>A2</b>	N/A	Perimeter Rows	N/A
Top Thickness	<b>A3</b>		Center Array	N/A
Form Tolerances				
Edge	<b>aaa</b>	0.20	Bottom Position	<b>ddd</b> 0.15
Substrate	<b>bbb</b>	0.20		<b>eee</b> 0.20
Top	<b>ccc</b>	0.20		<b>fff</b> 0.08

All dimensions are in millimeters.  
\*See footprint specification for pattern details.



**Generic Representation with Full Grid Array**

THE INFORMATION CONTAINED IN THIS DRAWING IS THE SOLE PROPERTY OF R&D INTERCONNECT SOLUTIONS. ANY REPRODUCTION IN PART OR WHOLE WITHOUT THE WRITTEN PERMISSION OF R&D INTERCONNECT SOLUTIONS IS PROHIBITED.

UNLESS OTHERWISE SPECIFIED  
- DIMENSIONS ARE IN MILLIMETERS  
- DIMES APPLY AFTER PLATING  
TOLERANCES UNLESS OTHERWISE NOTED: DECIMALS: ANGLES: ±1°

7115 NORTHLAND TERRACE SUITE 400  
BROOKLYN PARK, MN 55428  
(763) 509-0066

**SCKT, 66GRY7.5X9.1-0.80**

LEGEND:  
 (X) NOTE CALLOUT  
 (R) REVISION CHANGE  
 (I) ITEM NUMBER

DATE: C CAD FORUM: SOLIDWORKS DRAWING NO: 104670-0009 REV: B  
 SCALE: MATERIAL: See Page 1 SHEET: 2 of 2