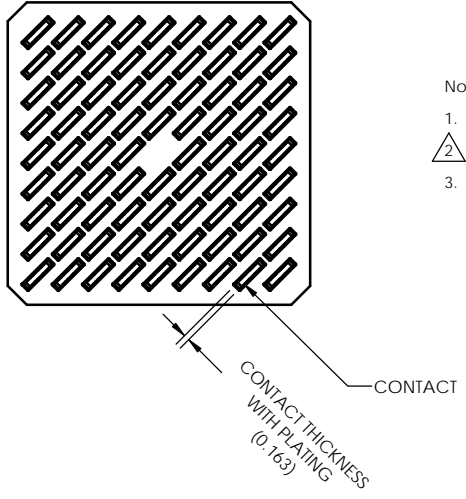
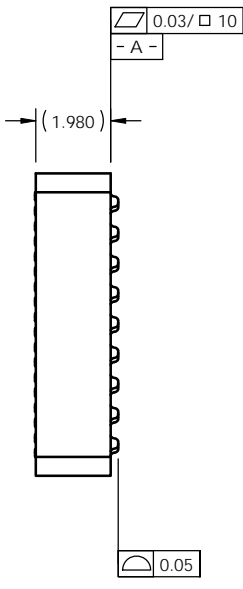
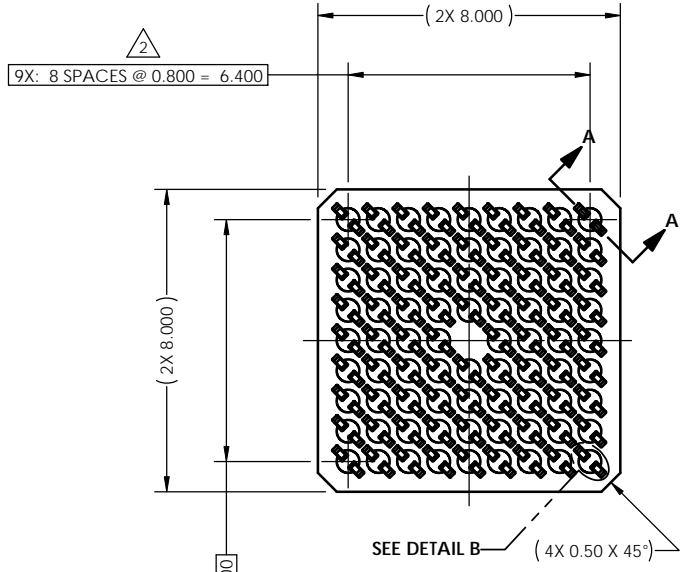
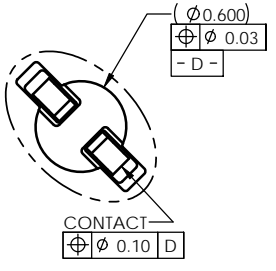
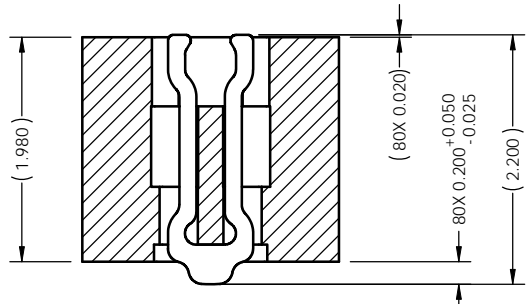


REV	ECO	BY	DESCRIPTION	APV	DATE
A	30052	SK	Initial Design	MP	01/05/10



- Notes:
- Footprint part number is 104311-0192.
 - Dimension locates center of contact.
 - Press size is 8.00 X 8.00.

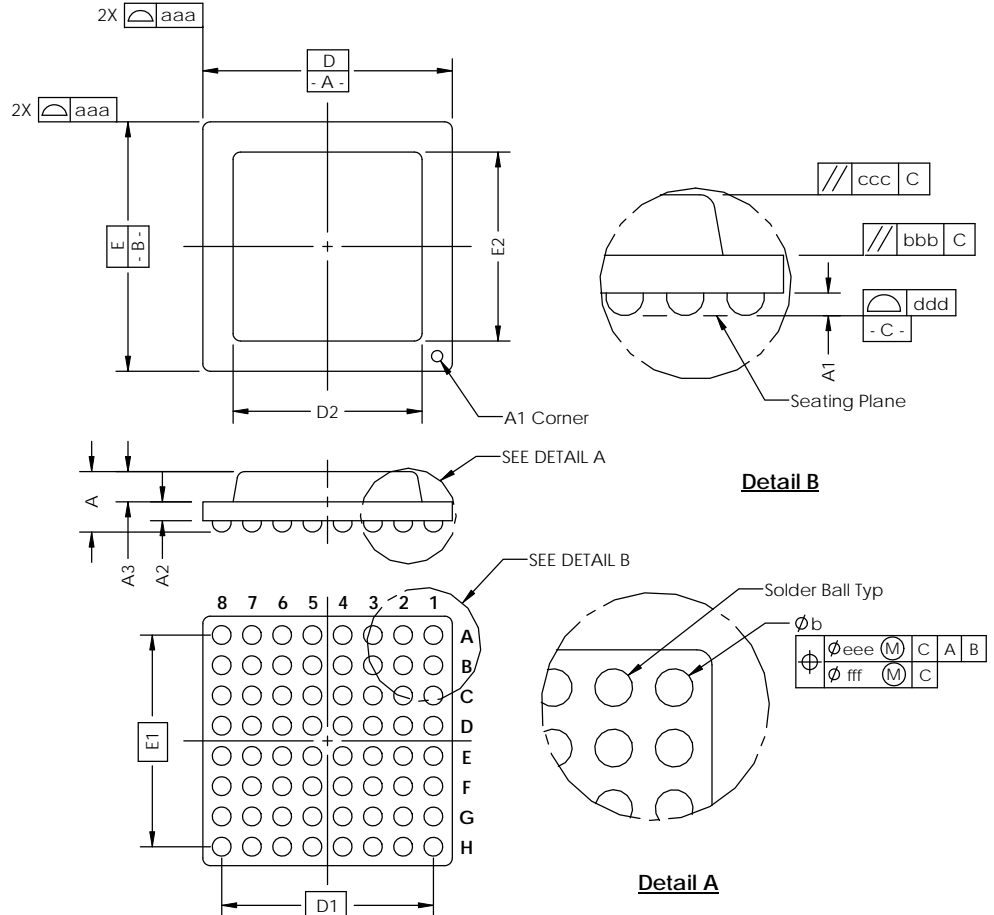
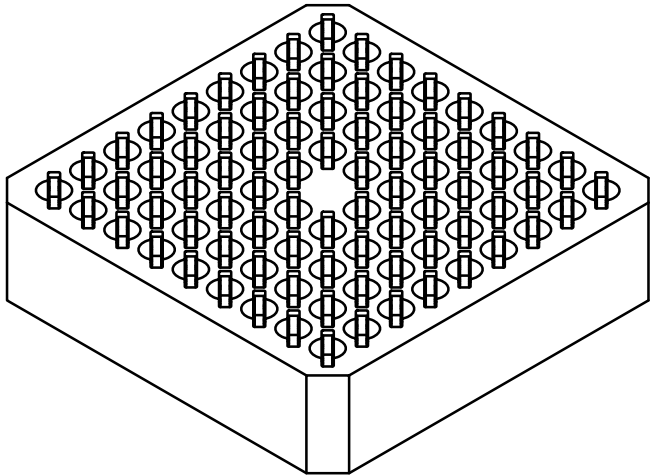
9X: 8 SPACES @ 0.800 = 6.400



UNLESS OTHERWISE SPECIFIED DIMENSIONS ARE IN MILLIMETERS DIM'S APPLY AFTER PLATING TOLERANCES UNLESS OTHERWISE NOTED:		THE INFORMATION CONTAINED IN THIS DRAWING IS THE SOLE PROPERTY OF CASCADE MICROTECH, INC. ANY REPRODUCTION IN PART OR WHOLE WITHOUT THE WRITTEN PERMISSION OF CASCADE MICROTECH, INC. IS PROHIBITED.	
CAD GENERATED DRAWING DO NOT MANUALLY UPDATE		7115 NORTHLAND TERRACE SUITE 400 BROOKLYN PARK, MN 55428 (763) 509-0066	
DRAWING APPROVALS		CASCAD MICROTECH	
NAME	DATE	SCKT, 80GRY08-0.80	
S. Klanderud	01/05/10		
M. Peery	01/05/10		
THIRD ANGLE PROJECTION		SCALE	MATERIAL
		C	SOLIDWORKS
LEGEND:		QUANTITIES	DESCRIPTION
NOTE CALLOUT		104670-0026	A
REVISION CHANGE		SEE BOM	1 of 2
ITEM NUMBER			

SOCKET FOR DEVICES THAT ARE WITHIN THESE SPECIFICATIONS					
Lead Count	N	80	Package Size	D	8
Columns	ND	9		E	8
Rows	NE	9	Ball Spacing	D1	6.40
Pitch	e	0.800		E1	6.40
Ball Size	b	0.50±0.05	Encapsulant/ Top Size	D2	n/a
Total Thickness	A	N/A	Pattern Style	E2	n/a
Ball Height	A1	0.30 Min			Irregular*
Substrate Thickness	A2	N/A	Perimeter Rows		n/a
Top Thickness	A3	N/A	Center Array		n/a
Form Tolerances					
Edge	aaa	0.20	Bottom	ddd	0.15
Substrate	bbb	0.20	Position	eee	0.20
Top	ccc	0.20	Position	fff	0.08

All dimensions are in millimeters.
*See footprint specification for pattern details.



Generic Representation with Full Grid Array

<small>THE INFORMATION CONTAINED IN THIS DRAWING IS THE SOLE PROPERTY OF CASCADE MICROTECH, INC. ANY REPRODUCTION IN PART OR WHOLE WITHOUT THE WRITTEN PERMISSION OF CASCADE MICROTECH, INC. IS PROHIBITED.</small>			
<small>UNLESS OTHERWISE SPECIFIED - DIMENSIONS ARE IN MILLIMETERS - DIMES APPLY AFTER PLATING TOLERANCES UNLESS OTHERWISE NOTED:</small>	<small>DECIMALS X.X ±0.25 X.XX ±0.10 X.XXX ±0.050</small>		7115 NORTHLAND TERRACE SUITE 400 BROOKLYN PARK, MN 55428 (763) 509-0066
SCKT, 80GRY08-0.80			A
<small>LEGEND:</small> NOTE CALLOUT REVISION CHANGE ITEM NUMBER	<small>SCALE:</small> C	<small>DRAWING NO.:</small> 104670-0026	<small>SHEET:</small> 2 of 2
<small>SEE CAD FOR MAT. SOLIDWORKS</small>			<small>SCALE:</small> See Page 1