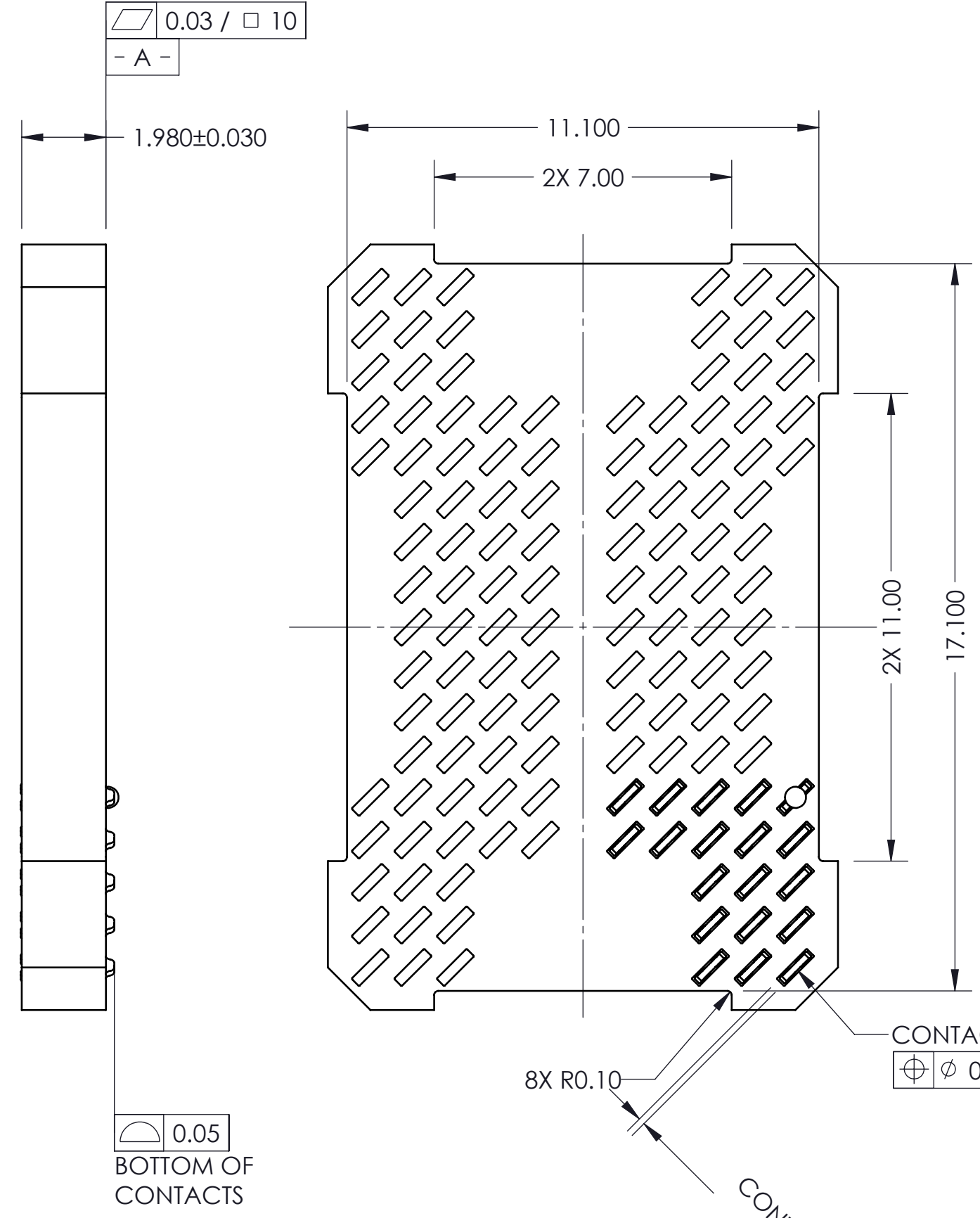
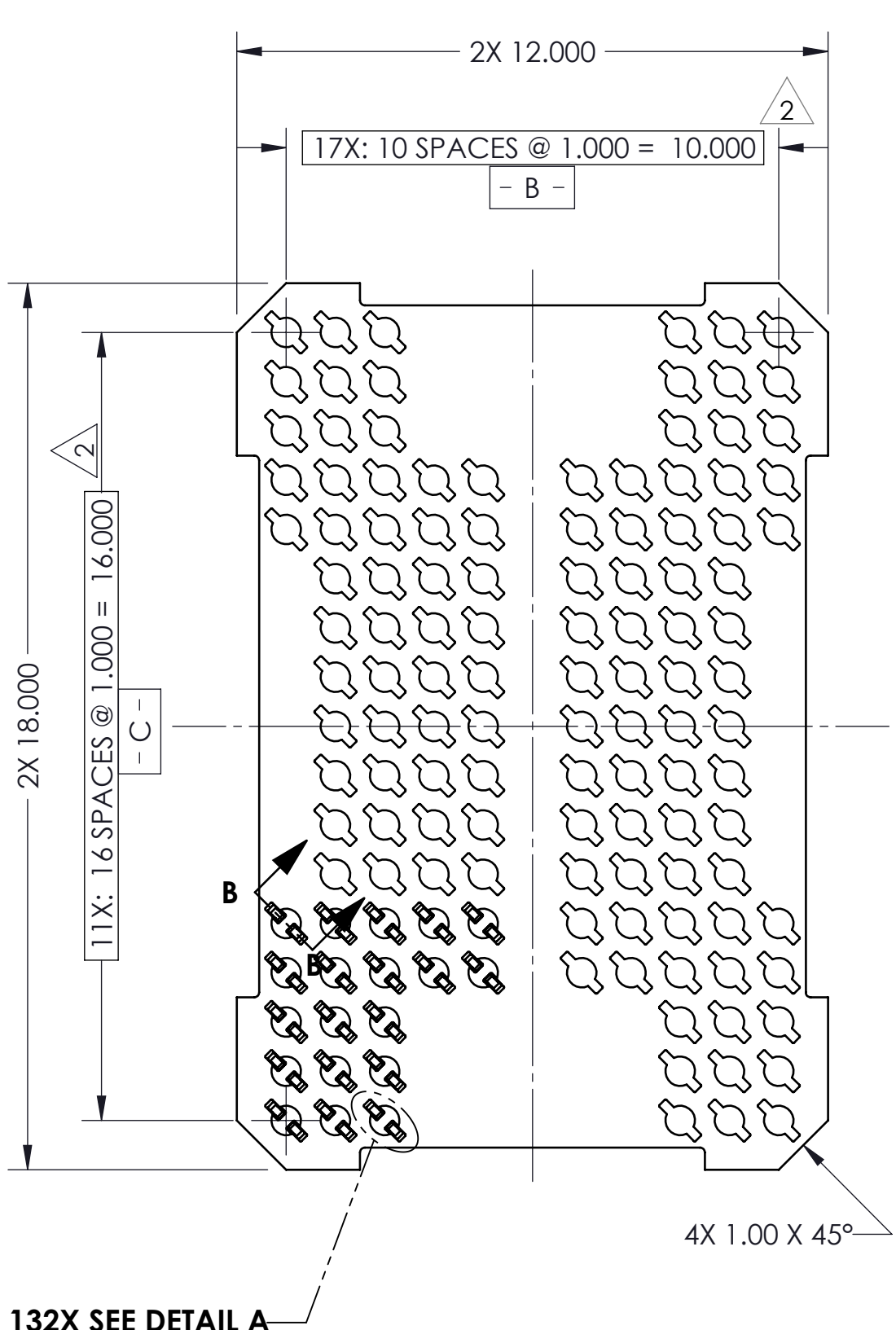
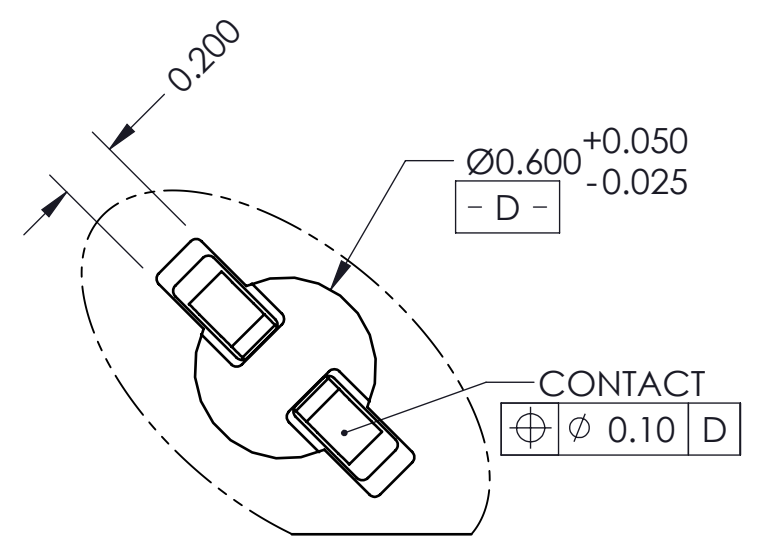


REV	ECO	BY	DESCRIPTION	APV	DATE
A	31630	RS	Initial Design	NSJ	04/08/15

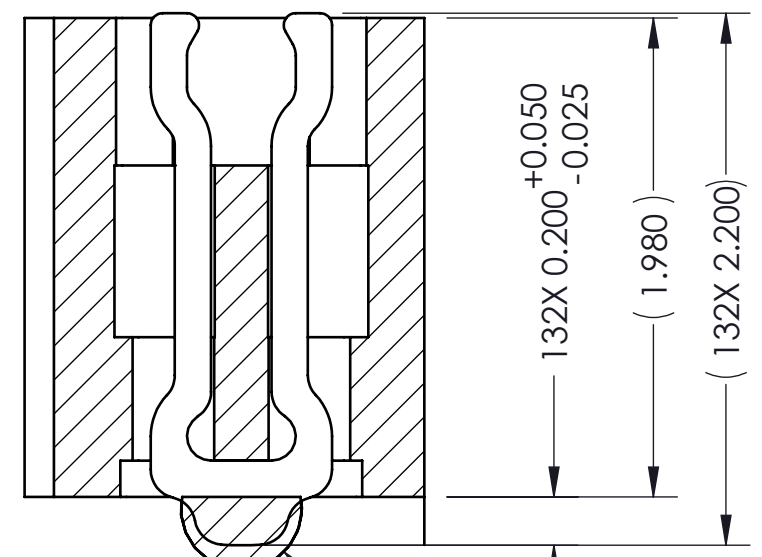


- Notes:
- Break edges 0.05-0.15.
 - Dimensions locates center of slots/contact.
 - Unless otherwise noted, all features located $\oplus 0.10$ A B C
 - Footprint part number is 104311-0287.
 - All contacts/solder balls are not shown to minimize file size.

PARTS LIST	
PART NUMBER	DESCRIPTION
104670-0032	SCKT, 132GRY12X18-1.00
104671-0032	CS, 132GRY12X18-1.00
103864-0083	PRESS, DEV INS, 12 X 18 (SOLD SEPARATELY)
104553-0217	STEN FLEX, 132GRY12X18-1.00 (SOLD SEPARATELY)



DETAIL A
SCALE 5:1

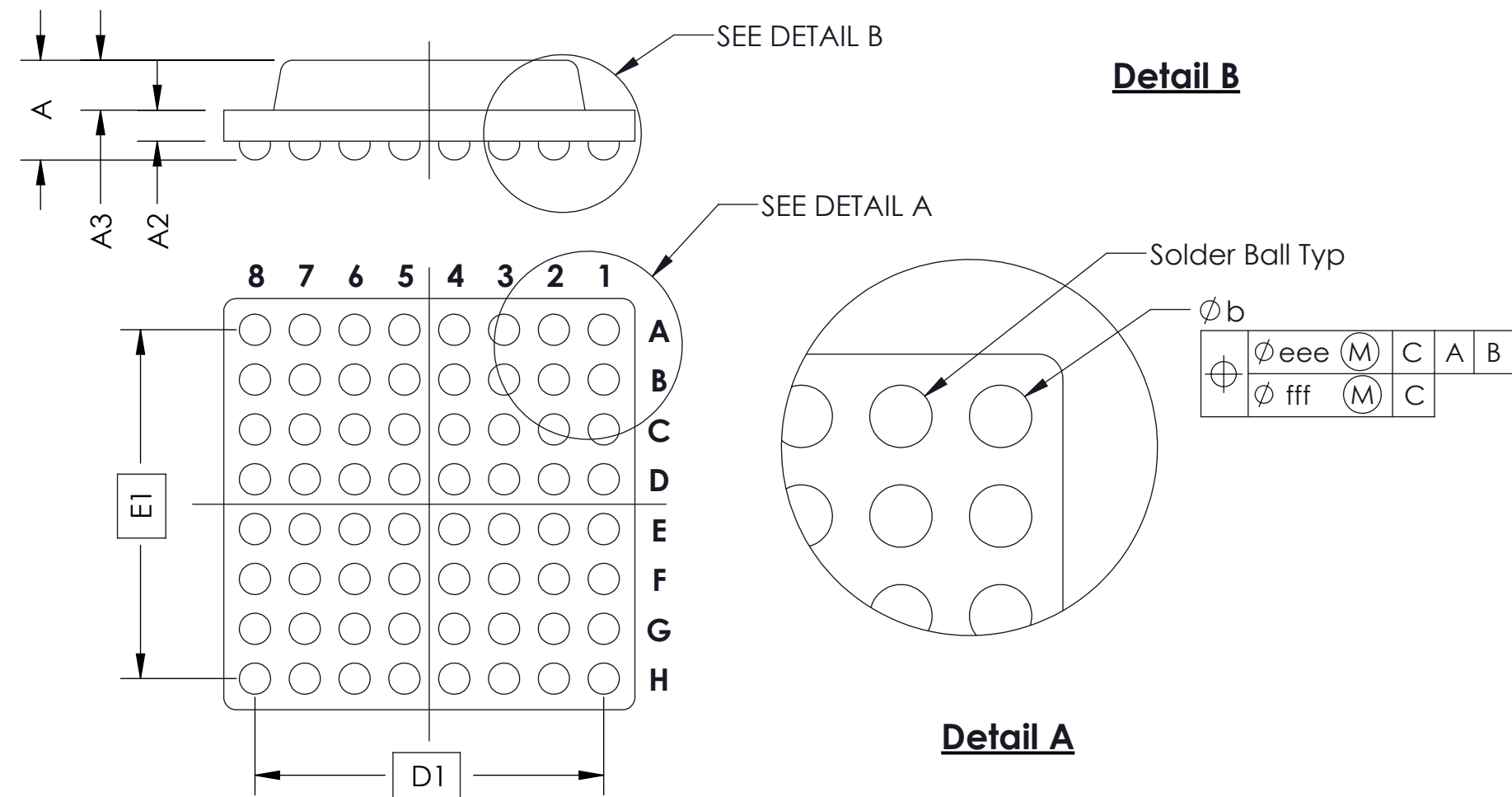
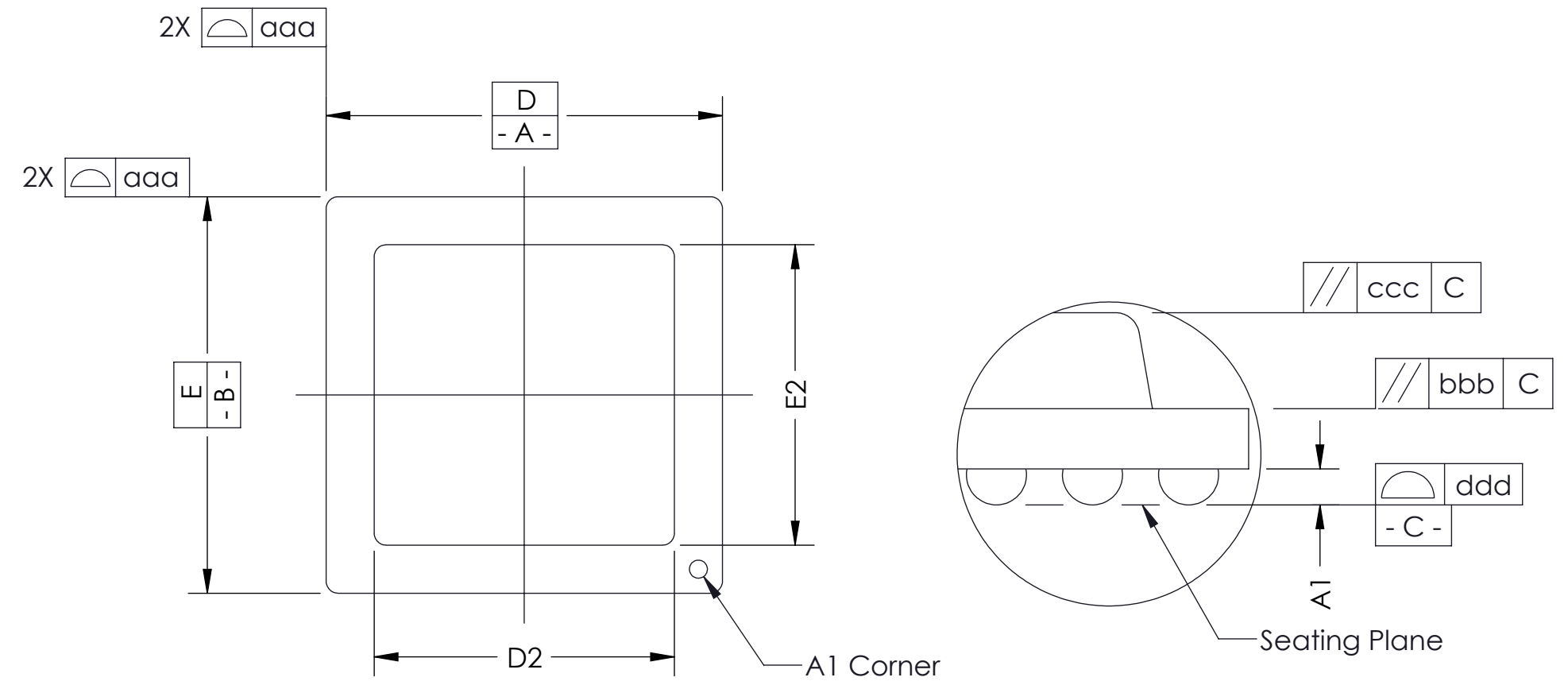
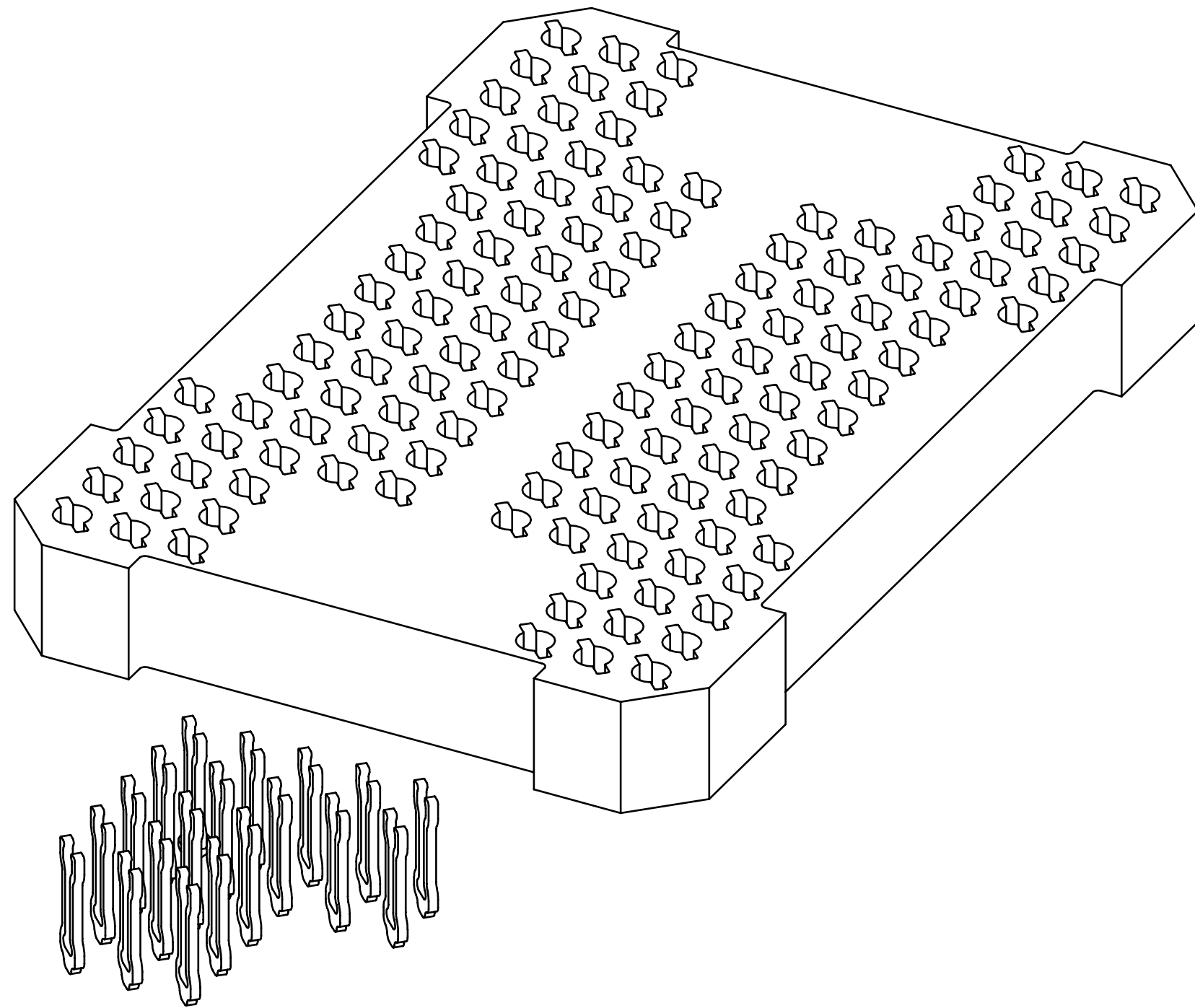


SECTION B-B
SCALE 4:1

<p>HSIO technologies PROPRIETARY AND CONFIDENTIAL</p> <p>THE INFORMATION CONTAINED IN THIS DRAWING IS THE SOLE PROPERTY OF HSIO TECHNOLOGIES, LLC. ANY REPRODUCTION IN PART OR AS A WHOLE WITHOUT THE WRITTEN PERMISSION OF HSIO TECHNOLOGIES, LLC IS PROHIBITED.</p>	UNLESS OTHERWISE SPECIFIED:	NAME	DATE	<p>HSIO TECHNOLOGIES, LLC. 13300 67th AVENUE NORTH MAPLE GROVE, MINNESOTA 55311 763-447-6260</p> <p>TITLE: SCKT, 132GRY12X18-1.00, SAC305</p> <p>DWG. NO. 104670-0040</p> <p>REV A</p> <p>SCALE: 5:1 SIZE: C SHEET 1 OF 2</p>	
	DIMENSIONS ARE IN MILLIMETERS	DRAWN	RS		04/08/15
	TOLERANCES:	CHECKED	NSJ		04/08/15
	ANGULAR: ± 1° X.X ±0.25 X.XX ±0.10 X.XXX ±0.050	LEGEND:			
INTERPRET GEOMETRIC TOLERANCING PER:	△ NOTE CALLOUT				
MATERIAL	□ REVISION CHANGE				
SEE BOM	○ ITEM NUMBER				
FINISH					
DO NOT SCALE DRAWING					

Device Specification					
Lead Count	N	132	Package Size	D	12.00
Columns	ND	11	Ball Spacing	E1	10.00
Rows	NE	17	Encapsulant/Top Size	D2	n/a
Pitch	e	1.000	Pattern Style	E2	n/a
Ball Size	b	0.50±0.05	Perimeter Rows		n/a
Total Thickness	A	n/a	Center Array		n/a
Ball Height	A1	0.30 min			
Substrate Thickness	A2				
Top Thickness	A3				
Form Tolerances					
Edge	aaa	0.20	Bottom	ddd	0.15
Substrate	bbb	0.20	Position	eee	0.20
Top	ccc	0.20	Position	fff	0.08

All dimensions are in millimeters.
*See footprint specification for pattern details.



Generic Representation with Full Grid Array

<p>HSIO technologies PROPRIETARY AND CONFIDENTIAL</p> <p>THE INFORMATION CONTAINED IN THIS DRAWING IS THE SOLE PROPERTY OF HSIO TECHNOLOGIES, LLC. ANY REPRODUCTION IN PART OR AS A WHOLE WITHOUT THE WRITTEN PERMISSION OF HSIO TECHNOLOGIES, LLC IS PROHIBITED.</p>	UNLESS OTHERWISE SPECIFIED:	NAME	DATE	HSIO TECHNOLOGIES, LLC. 13300 67th AVENUE NORTH MAPLE GROVE, MINNESOTA 55311 763-447-6260	
	DIMENSIONS ARE IN MILLIMETERS	DRAWN	RS		04/08/15
	TOLERANCES:	CHECKED	NSJ		04/08/15
	ANGULAR: ± 1° X.X ±0.25 X.XX ±0.10 X.XXX ±0.050	LEGEND:	△ NOTE CALLOUT □ REVISION CHANGE ○ ITEM NUMBER		
INTERPRET GEOMETRIC TOLERANCING PER:	MATERIAL	SEE BOM		TITLE:	
FINISH	DO NOT SCALE DRAWING			SCKT, 132GRY12X18-1.00, SAC305	
		DWG. NO.	REV		
		104670-0040	A		
		SCALE: 5:1	SIZE: C	SHEET 2 OF 2	