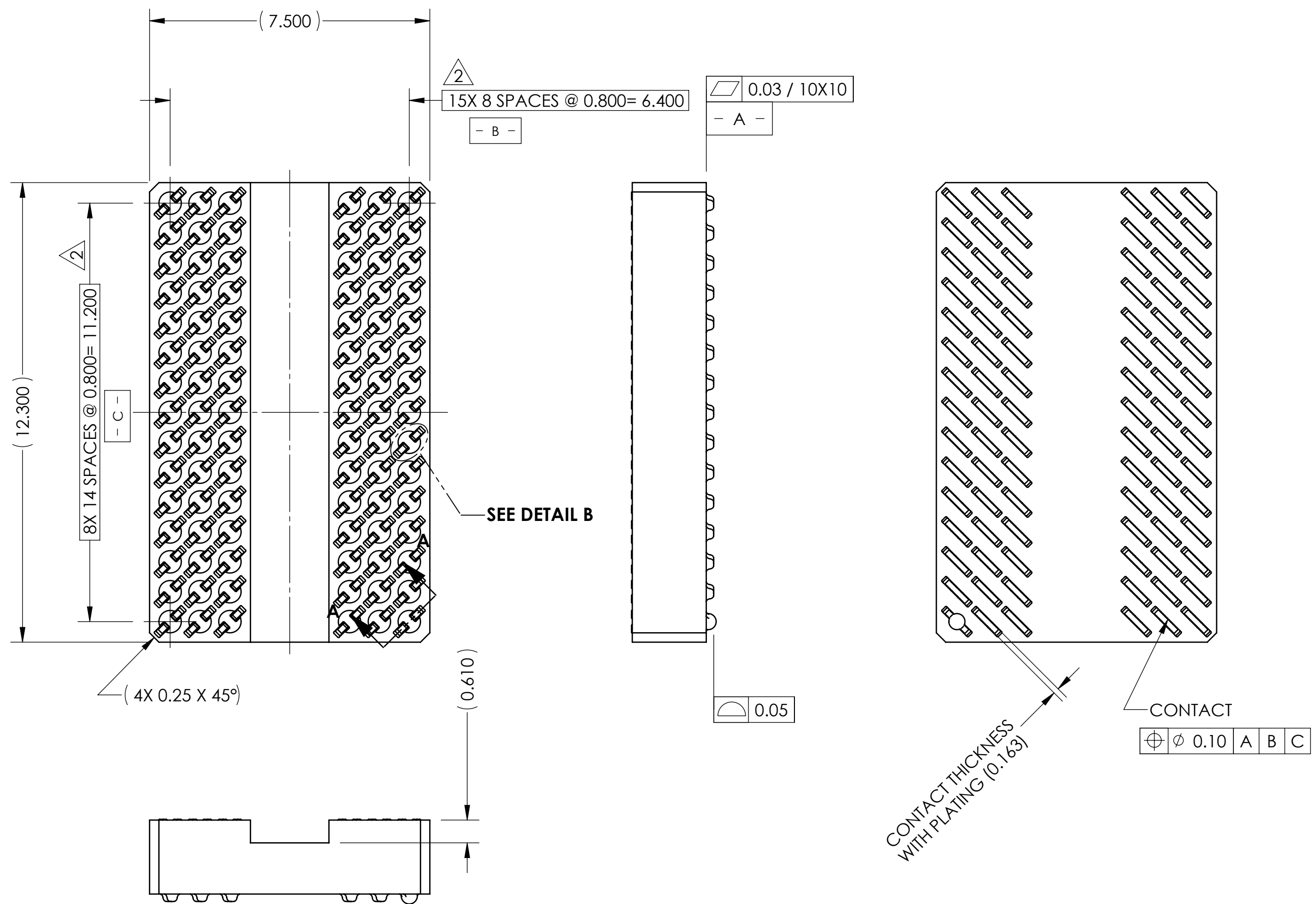
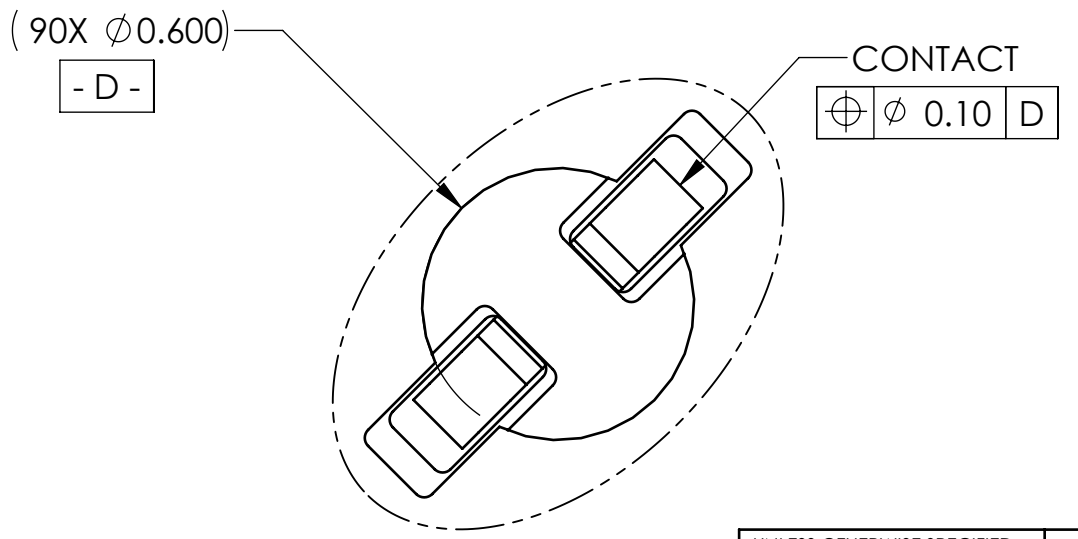
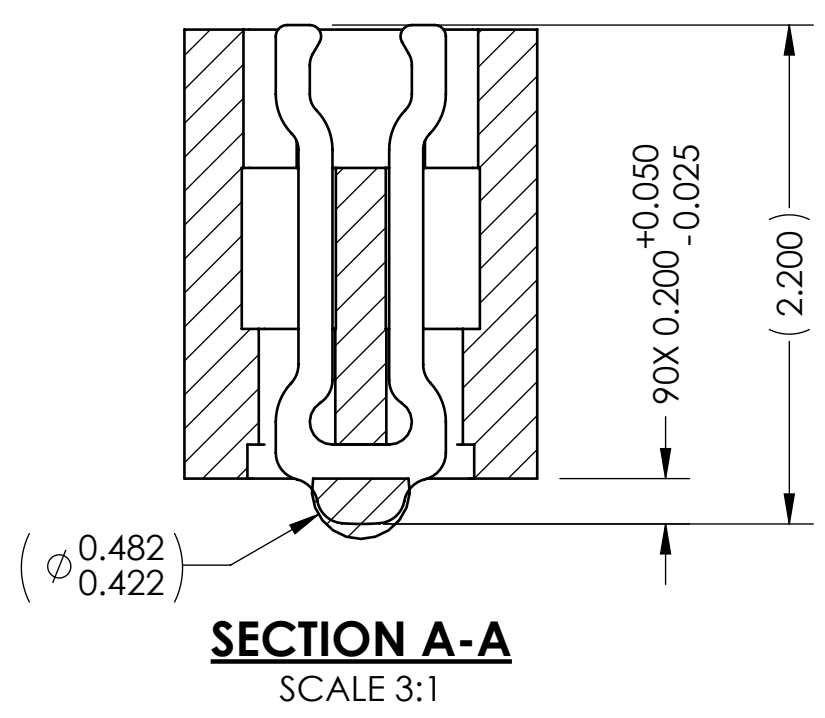


REV	ECO	BY	DESCRIPTION	APV	DATE
A	6067	DJP	INITIAL DESIGN	AJN	4/5/21



- Notes:
- Footprint part number 104311-0014.
 - Dimension locates center of contact.

Parts List	
Part Number	Description
103864-0038	PRESS, DEV INS, 7.5X12.5, GRY
104553-0034	STENCIL (SOLD SEPERATELY)



UNLESS OTHERWISE SPECIFIED - DIMENSIONS ARE IN MILLIMETERS - DIMS APPLY AFTER PLATING - TOLERANCES UNLESS OTHERWISE NOTED:

ANGLES ±1° DECIMALS X.X ±0.25
X.XX ±0.10
X.XXX ±0.050

THE INFORMATION CONTAINED IN THIS DRAWING IS THE SOLE PROPERTY OF IRONWOOD ELECTRONICS, INC. ANY REPRODUCTION IN PART OR WHOLE WITHOUT THE WRITTEN PERMISSION OF IRONWOOD ELECTRONICS, INC. IS PROHIBITED.

CAD GENERATED DRAWING DO NOT MANUALLY UPDATE

1335 EAGANDALE CT
EAGAN, MN 55123
(952) 229-8200

CONN, 90 GRY 7.5X12.3-0.80, SAC305

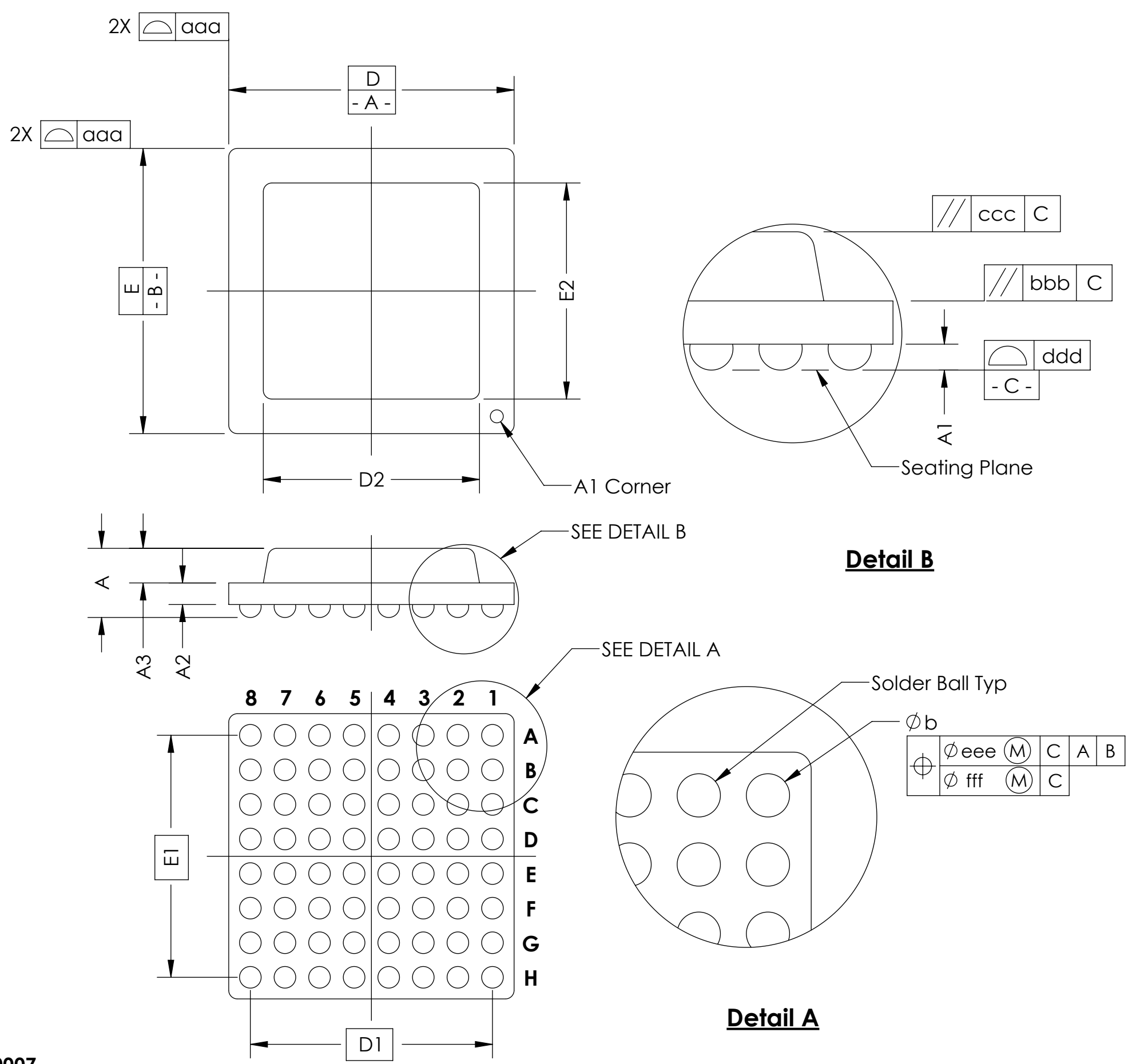
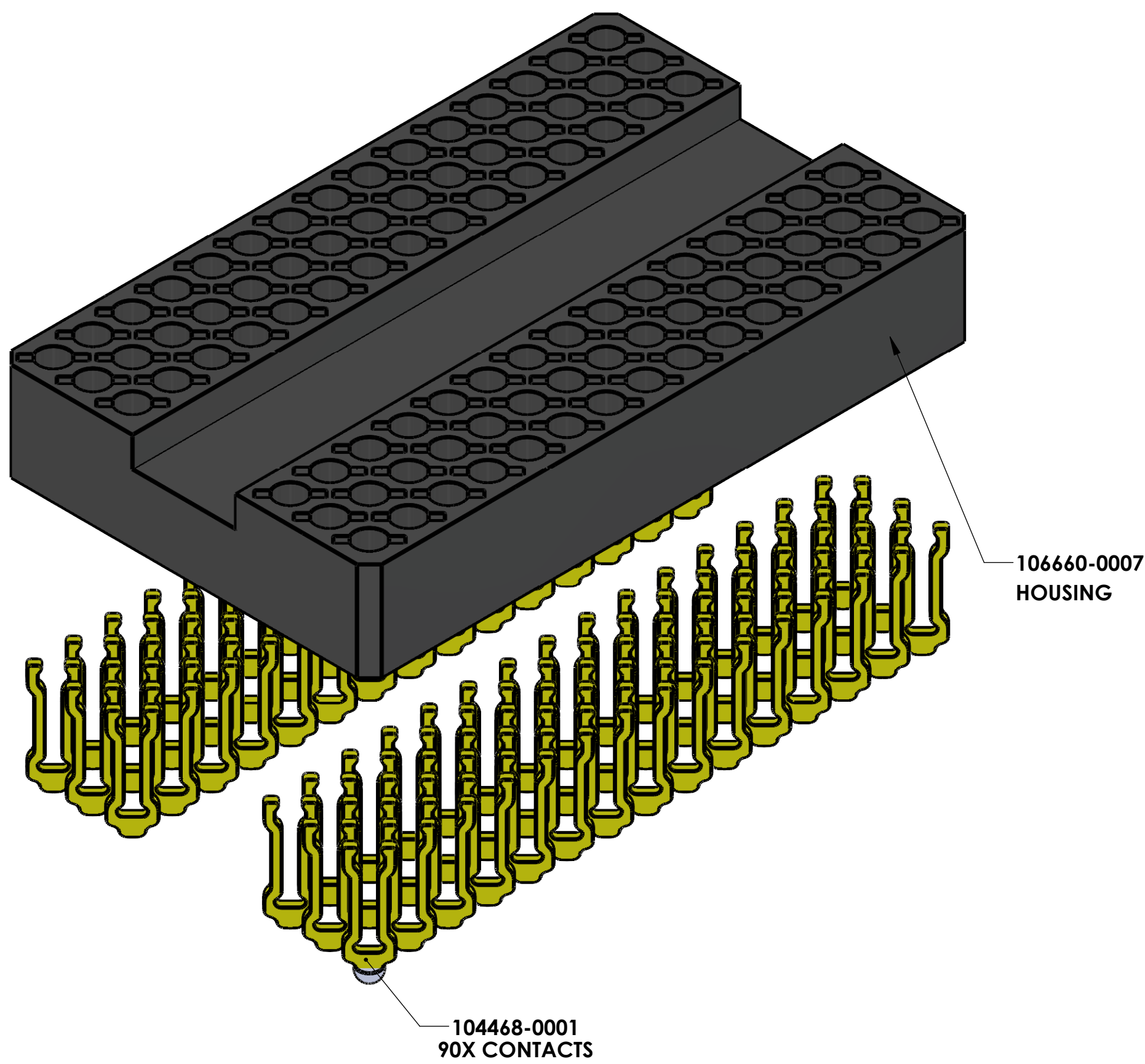
DRAWN: DJP	DATE: 04/05/2021		A
APPVD: AJN	DATE: 04/05/2021		
THIRD ANGLE PROJECTION		SCALE: C	REV: A
LEGEND:		MATERIAL: SEE BOM	SHEET: 1 of 1

LEGEND:

- (X) NOTE CALLOUT
- (1) REVISION CHANGE
- (X) ITEM NUMBER

SOCKET FOR DEVICES THAT ARE WITHIN THESE SPECIFICATIONS				
Lead Count	N	90	Package Size	D 7.50
Columns	ND	9		E 12.50
Rows	NE	15	Ball Spacing	D1 6.40
Pitch	e	0.800		E1 11.20
Ball Size	b	0.50±0.05	Encapsulant/ Top Size	D2 n/a
Total Thickness	A	n/a		E2 n/a
Ball Height	A1	0.30 min	Pattern Style	Irregular**
Substrate Thickness	A2	n/a	Perimeter Rows	n/a
Top Thickness	A3	n/a	Center Array	n/a
Form Tolerances				
Edge	aaa	0.20	Bottom	ddd 0.15
Substrate	bbb	0.20	Position	eee 0.20
Top	ccc	0.20	Position	fff 0.08

All dimensions are in millimeters.
** See footprint spec.



Generic Representation with Full Grid Array

<small>THE INFORMATION CONTAINED IN THIS DRAWING IS THE SOLE PROPERTY OF IRONWOOD ELECTRONICS, INC. ANY REPRODUCTION IN PART OR WHOLE WITHOUT THE WRITTEN PERMISSION OF IRONWOOD ELECTRONICS, INC. IS PROHIBITED.</small>			
<small>UNLESS OTHERWISE SPECIFIED - DIMENSIONS ARE IN MILLIMETERS - DIMS APPLY AFTER PLATING TOLERANCES UNLESS OTHERWISE NOTED: DECIMALS ANGLES X.X ±0.25 ±1° X.XX ±0.10 X.XXX ±.050</small>		1335 EAGANDALE CT EAGAN, MN 55123 (952) 229-8200	
CONN, 90 GRY7.5X12.3-0.80, SAC305		DRAWING NO. 104670-0044	REV. A
LEGEND: (X) NOTE CALLOUT (A) REVISION CHANGE (X) ITEM NUMBER	SIZE C	CAD FORMAT SOLIDWORKS	SCALE See Page 1
SHEET 2 of 2			SHEET 2 of 2