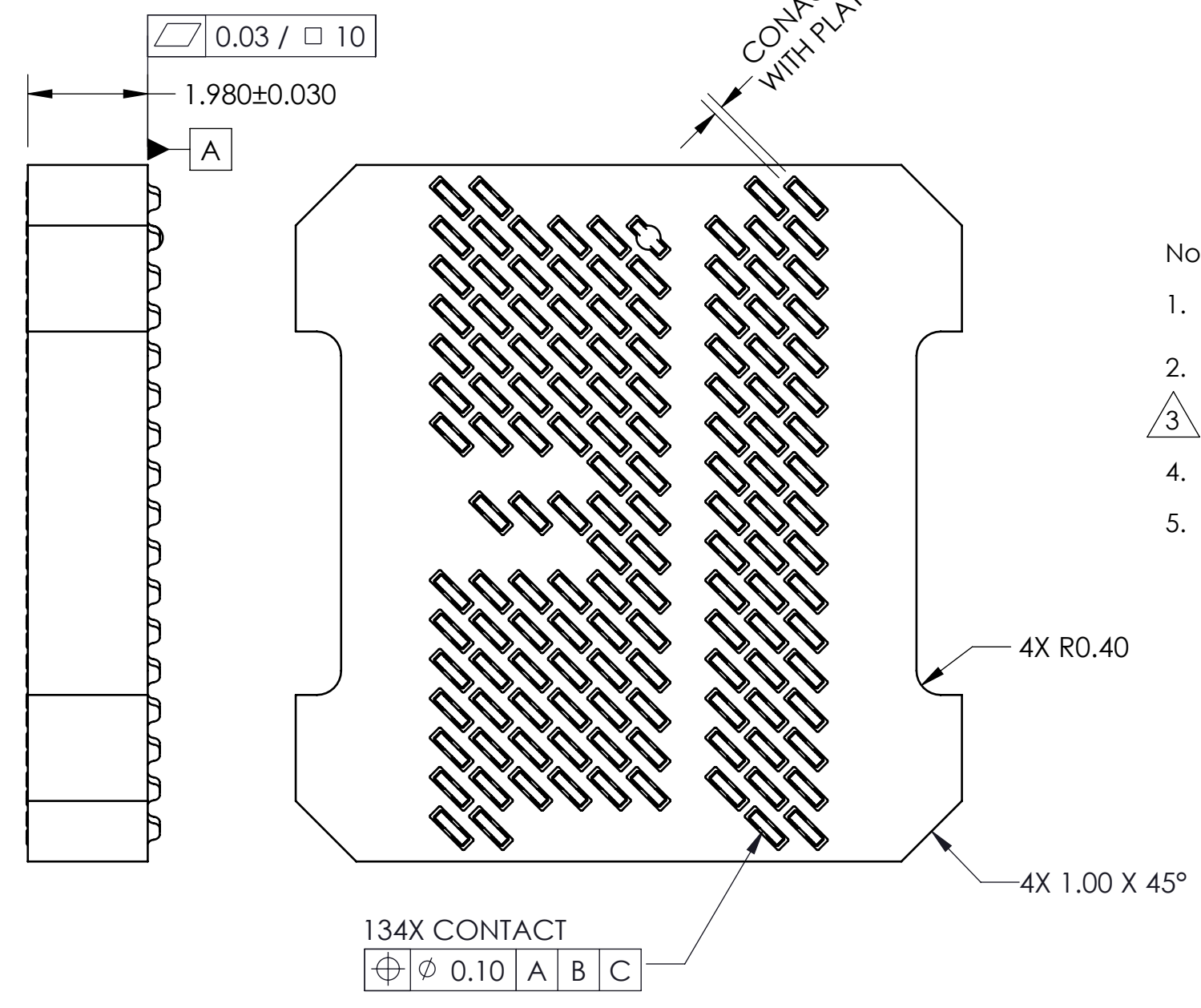
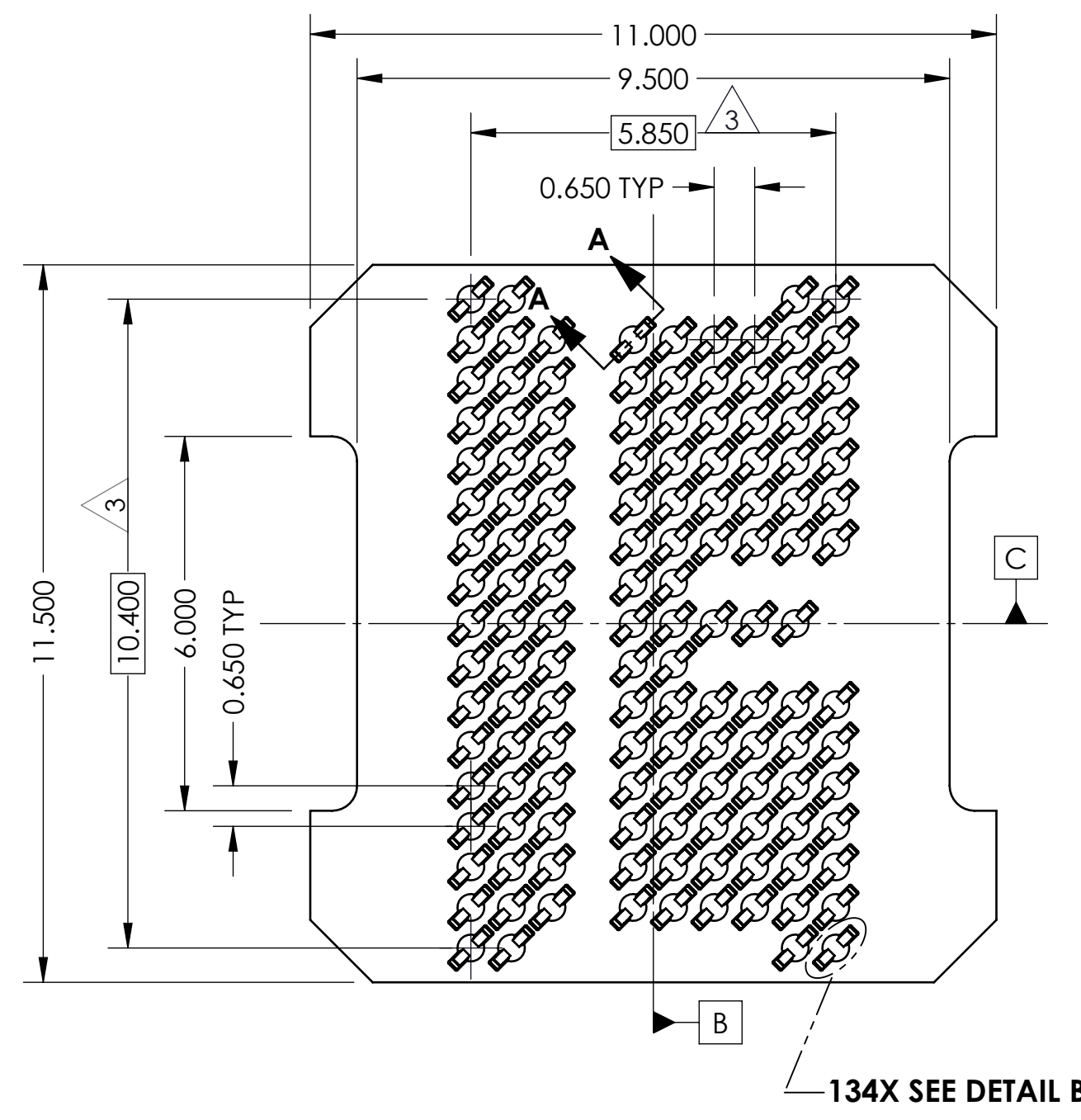
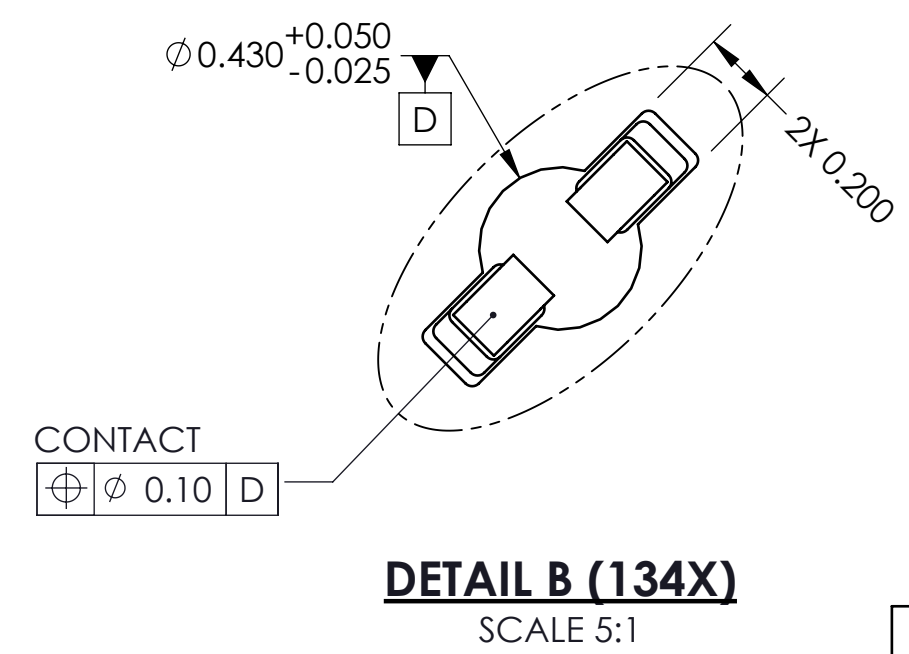
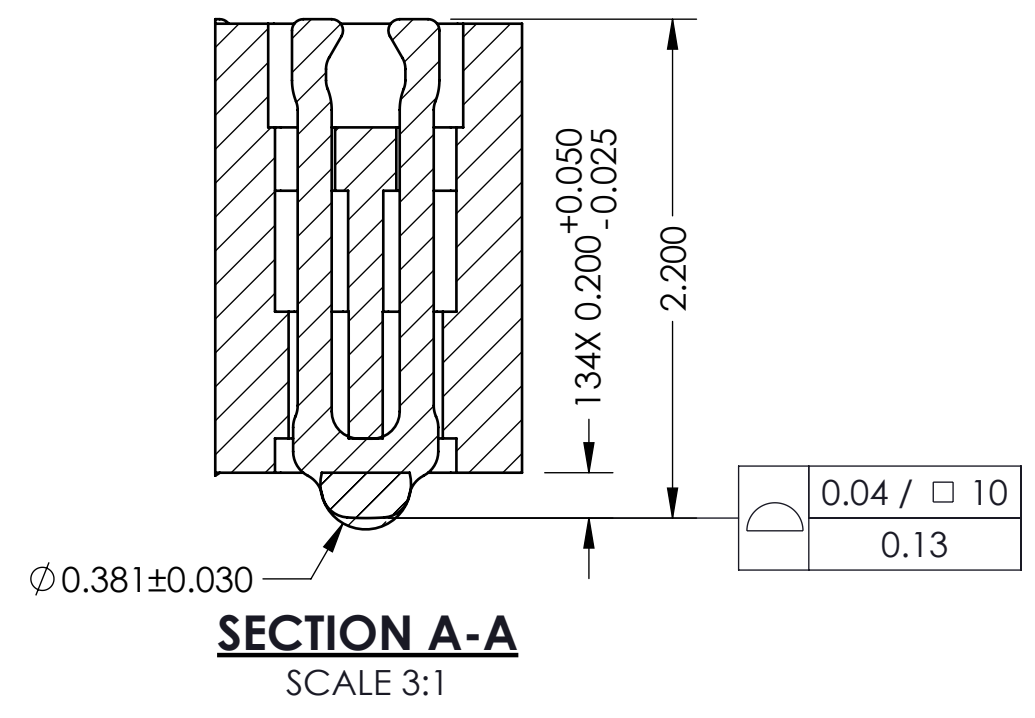



REV	ECO	BY	DESCRIPTION	APV	DATE
A	31803	RS	INITIAL DESIGN	NSJ	10/20/16
B	6882	DJP	UPDATED HSG FROM 4 LAYER TO 5 LAYER.	RS	4/13/21



- Notes:
- Footprint part number is 104311-0258.
  - Unless otherwise noted, all features located  $\oplus 0.10$  A B C
  - $\triangle$  Locates center of contact slots.
  - Datums B and C determined by  $\phi 0.430$  opening in corner slots.
  - All solder balls are **NOT** shown to minimize file size.

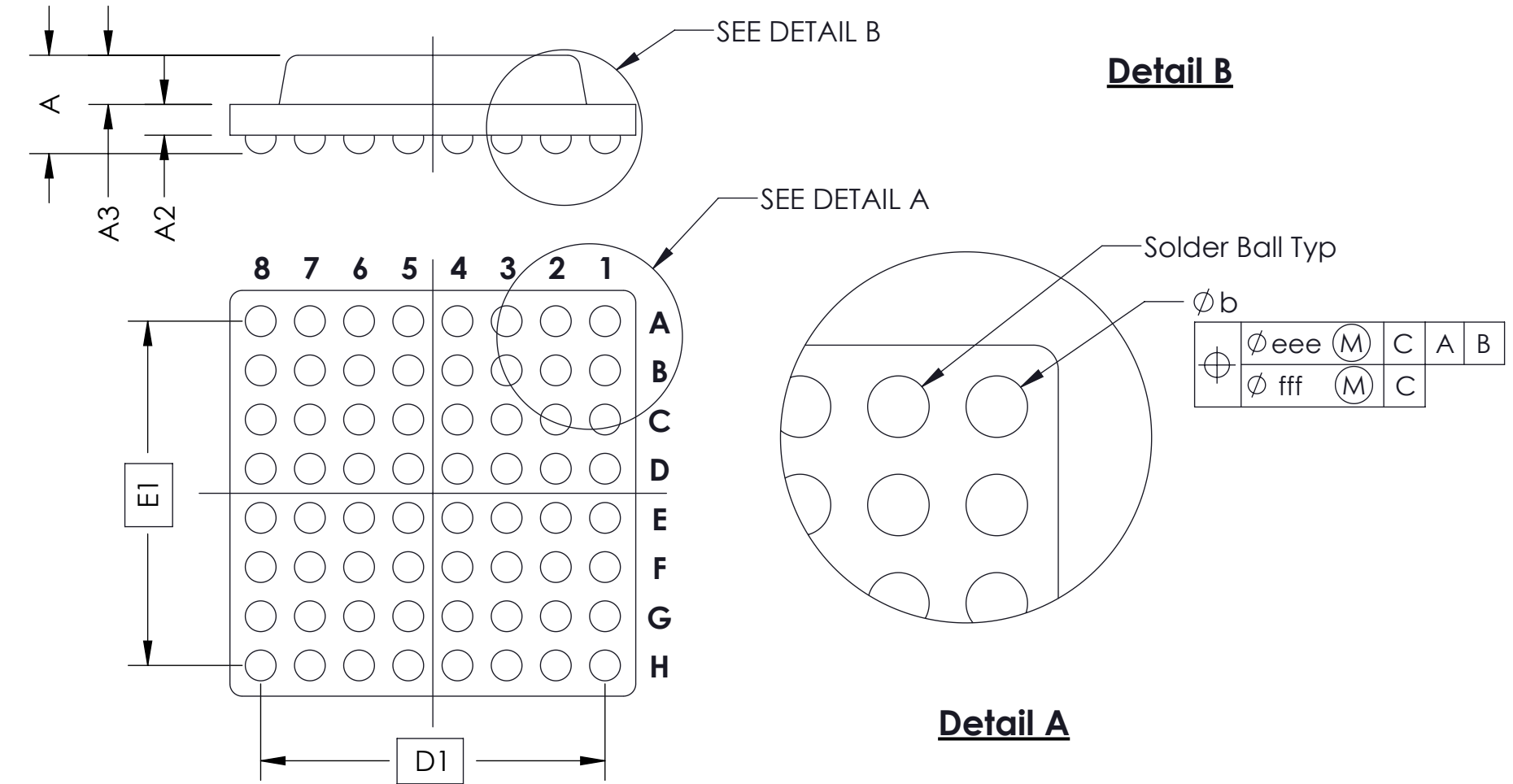
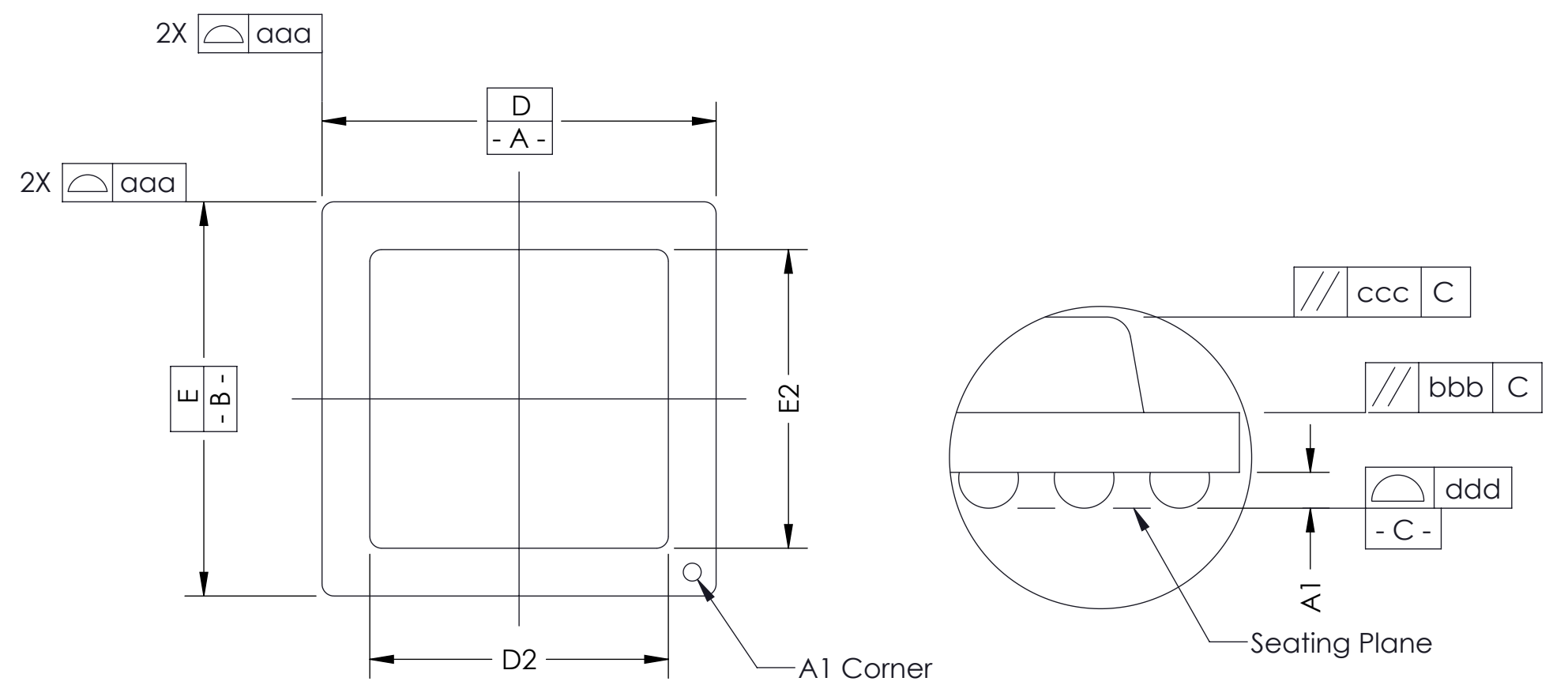
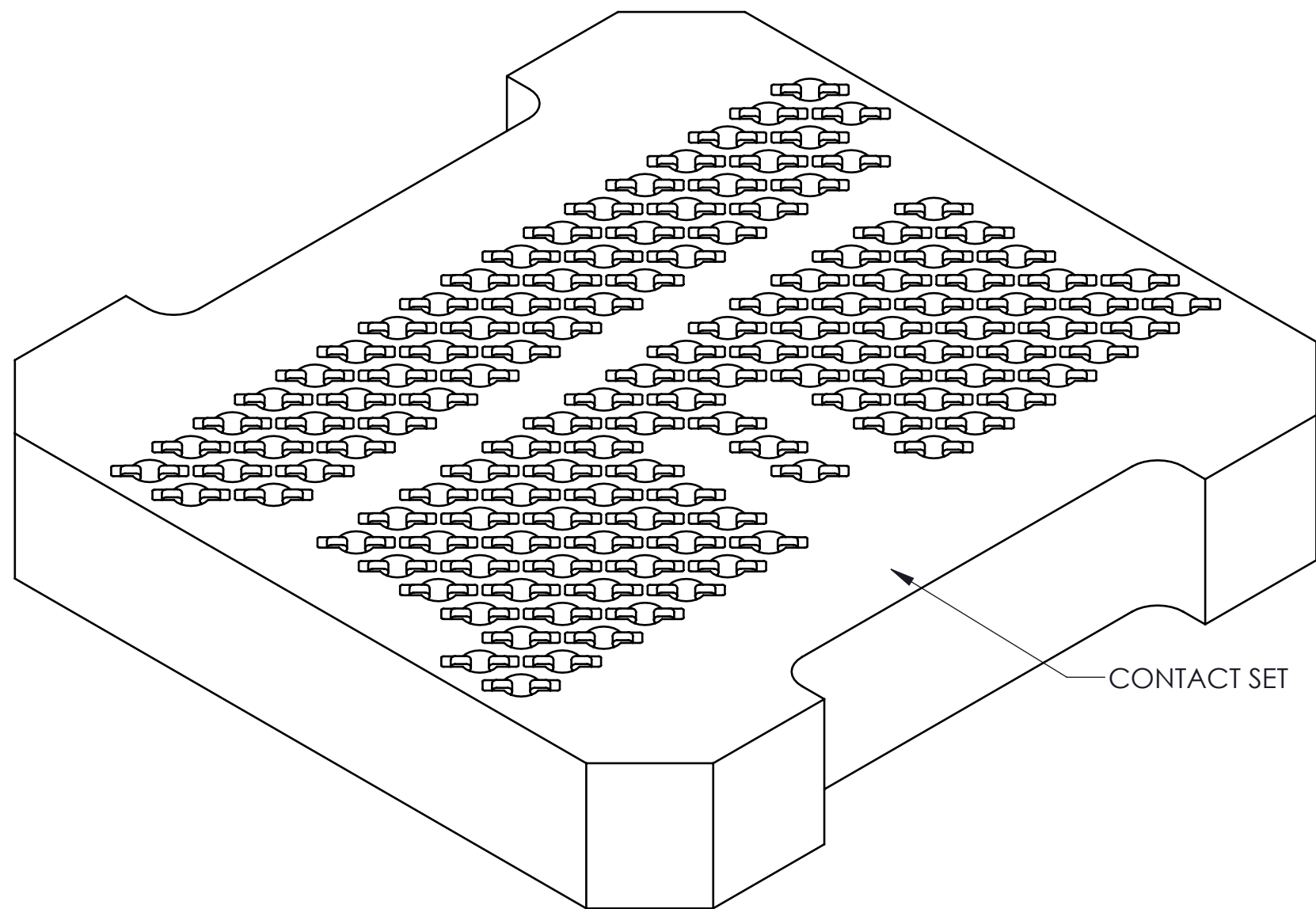


PARTS LIST	
Part Number	Description
104946-0014	SCKT, 134GRY11X11.5-0.65, EUT
103864-0061	PRESS, DEV INS, 11X11.5 (SOLD SEP.)

 <p><b>PROPRIETARY AND CONFIDENTIAL</b></p> <p>THE INFORMATION CONTAINED IN THIS DRAWING IS THE SOLE PROPERTY OF IRONWOOD ELECTRONICS, INC. ANY REPRODUCTION IN PART OR AS A WHOLE WITHOUT THE WRITTEN PERMISSION OF IRONWOOD ELECTRONICS, INC IS PROHIBITED.</p>	UNLESS OTHERWISE SPECIFIED:	NAME	DATE	<b>IRONWOOD ELECTRONICS, INC.</b> 1335 EAGANDALE COURT EAGAN, MINNESOTA 55121 952-229-8200	
	DIMENSIONS ARE IN MILLIMETERS	DRAWN	RS		10/20/16
	TOLERANCES:	CHECKED	NSJ	10/20/16	TITLE: SCKT, 134GRY 11.0X11.5-0.65, EUTECTIC SOLDER BALLS
	ANGULAR: $\pm 1^\circ$	LEGEND:		DWG. NO.	
XX $\pm 0.25$	$\triangle$ NOTE CALLOUT	104946-0014		B	
X.XX $\pm 0.10$	$\square$ REVISION CHANGE	SCALE: 10:1		SIZE: C	
X.XXX $\pm 0.050$	$\circ$ ITEM NUMBER	SHEET 1 OF 2			
INTERPRET GEOMETRIC TOLERANCING PER:					
MATERIAL					
SEE BOM					
FINISH					
DO NOT SCALE DRAWING					

SOCKET FOR DEVICES THAT ARE WITHIN THESE SPECIFICATIONS					
Lead Count	<b>N</b>	134	Package Size	<b>D</b>	11.00
Columns	<b>ND</b>	10		<b>E</b>	11.50
Rows	<b>NE</b>	17	Ball Spacing	<b>D1</b>	5.85
Pitch	<b>e</b>	0.65		<b>E1</b>	10.40
Ball Size	<b>b</b>	0.35±0.05	Encapsulant/ Top Size	<b>D2</b>	n/a
Total Thickness	<b>A</b>	n/a		<b>E2</b>	n/a
Ball Height	<b>A1</b>	0.25 Min	Pattern Style	IRREGULAR*	
Substrate Thickness	<b>A2</b>	n/a	Perimeter Rows	n/a	
Top Thickness	<b>A3</b>	n/a	Center Array	n/a	
Form Tolerances					
Edge	<b>aaa</b>	0.20	Bottom	<b>ddd</b>	0.15
Substrate	<b>bbb</b>	0.20	Position	<b>eee</b>	0.20
Top	<b>ccc</b>	0.20	Position	<b>fff</b>	0.08


All dimensions are in millimeters.  
\*See footprint specification for pattern details.



**Generic Representation with Full Grid Array**

**PROPRIETARY AND CONFIDENTIAL**

THE INFORMATION CONTAINED IN THIS DRAWING IS THE SOLE PROPERTY OF IRONWOOD ELECTRONICS, INC. ANY REPRODUCTION IN PART OR AS A WHOLE WITHOUT THE WRITTEN PERMISSION OF IRONWOOD ELECTRONICS, INC IS PROHIBITED.

UNLESS OTHERWISE SPECIFIED:	NAME	DATE	<b>IRONWOOD ELECTRONICS, INC.</b> 1335 EAGANDALE CT EAGAN, MINNESOTA 55123 952-229-8200	
DIMENSIONS ARE IN MILLIMETERS	DRAWN	RS		10/20/16
TOLERANCES:	CHECKED	NSJ		10/20/16
ANGULAR: ± 1° X.X ±0.25 X.XX ±0.10 X.XXX ±0.050			TITLE: SCKT, 134GRY 11.0X11.5-0.65, EUTECTIC SOLDER BALLS	
LEGEND: △ NOTE CALLOUT ◻ REVISION CHANGE ○ ITEM NUMBER	DWG. NO. <b>104946-0014</b>		REV <b>B</b>	
SCALE: 10:1			SIZE: C	SHEET 2 OF 2