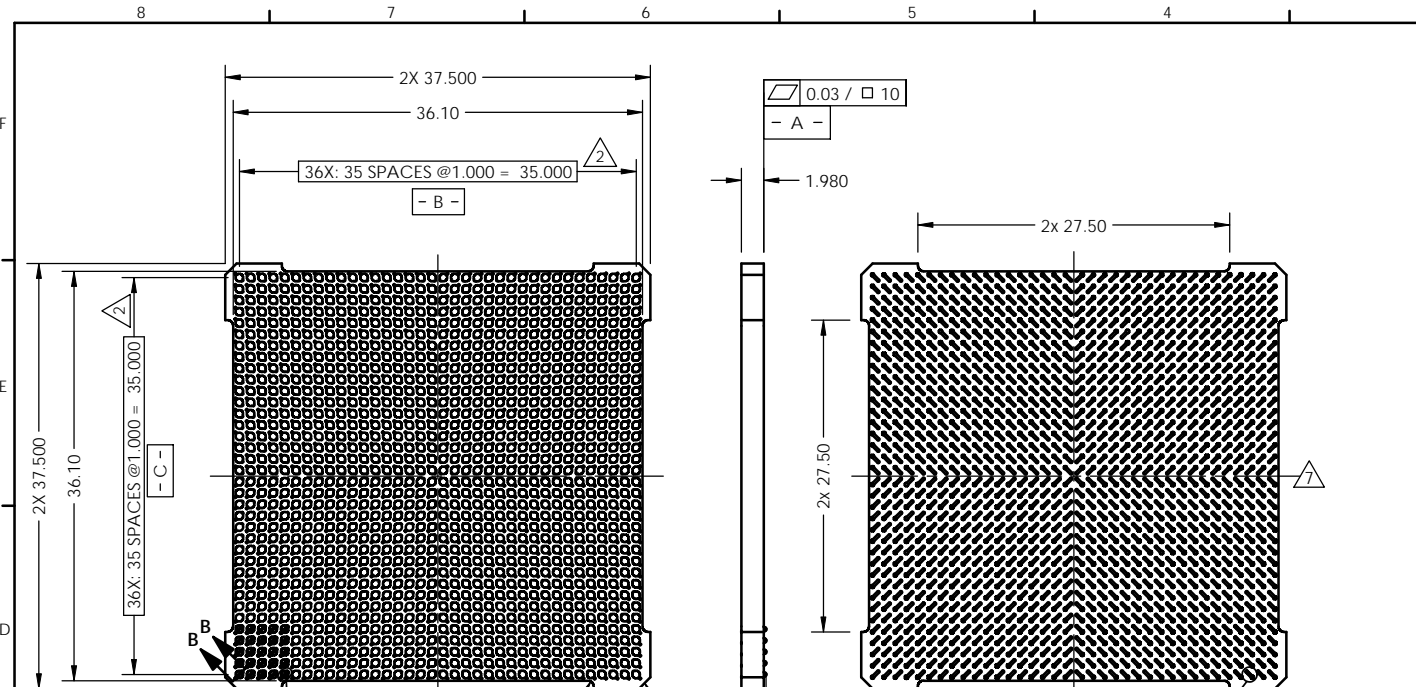


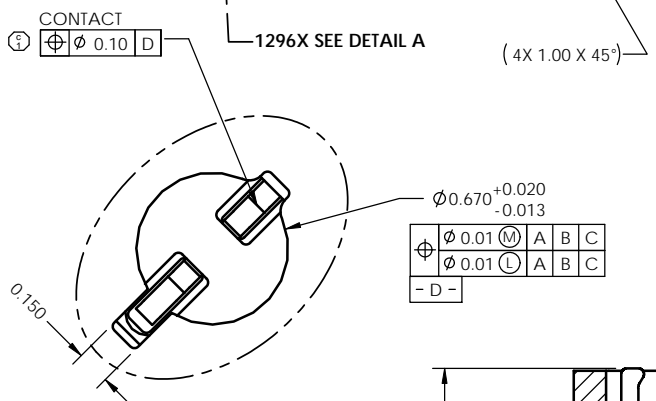
REV	ECO	BY	DESCRIPTION	APV	DATE
A	30483	SK	Initial Design	MPV	07/19/10
B	30519	KDW	1) Was 0.08	KDW	08/10/10
C	30528	MP	Typo on tolerance	MP	08/26/10



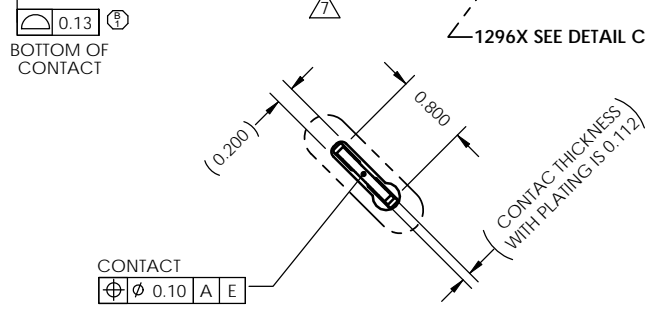
Notes:

- Footprint part number is 104311-0242.
- Dimension locates center of slot/contact.
- Unless otherwise noted, all features located  $\oplus 0.10$  A B C
- Reference Cascade Microtech specification 103862-0001.
- Press size is 37.5 x 37.5.
- Datum - B - and - C - are determined by  $\phi 0.670$  opening in corner slots.
- E - center of contact pattern.
- Reference Cascade Microtech specification 103863-0001 for application notes.

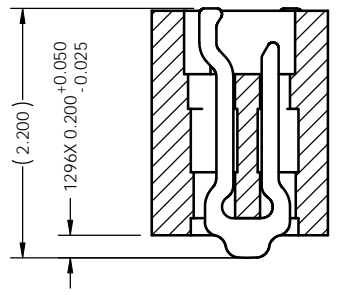
PARTS LIST		
PART NUMBER	QTY	DESCRIPTION
106652-0015	-	SCKT, 1296G80 37.5-1.00
106651-0015	1	CS, 1296G80 37.5-1.00
103864-0016	1	PRESS, DEV, 37.5 (SOLD SEPARATELY)
104553-0185	1	STENCIL, 1296G80 37.5-1.00 (SOLD SEPARATELY)



**DETAIL A (1296X)**  
Scale 20:1



**DETAIL C (1296X)**  
Scale 8:1



**SECTION B-B**  
Scale 10:1

UNLESS OTHERWISE SPECIFIED  
DIMENSIONS ARE IN MILLIMETERS  
DIM'S APPLY AFTER PLATING  
TOLERANCES UNLESS OTHERWISE NOTED:

ANGLES	DECIMALS	THE INFORMATION CONTAINED IN THIS DRAWING IS THE SOLE PROPERTY OF CASCADE MICROTECH, INC. ANY REPRODUCTION IN PART OR WHOLE WITHOUT THE WRITTEN PERMISSION OF CASCADE MICROTECH, INC. IS PROHIBITED.	
±1°	X.X ±0.25	CAD GENERATED DRAWING DO NOT MANUALLY UPDATE	
	X.XX ±0.10	7115 NORTHLAND TERRACE SUITE 400 BROOKLYN PARK, MN 55428 (763) 509-0066	
	X.XXX ±0.050	DRAWING APPROVALS	

DESIGN	DATE		<b>SCKT, 1296G8037.5-1.00</b>
S. Klanderud	07/19/10		
APP'D	DATE	SCALE	SHEET
M. Peery	07/19/10	C	1 of 2

THIRD ANGLE PROJECTION

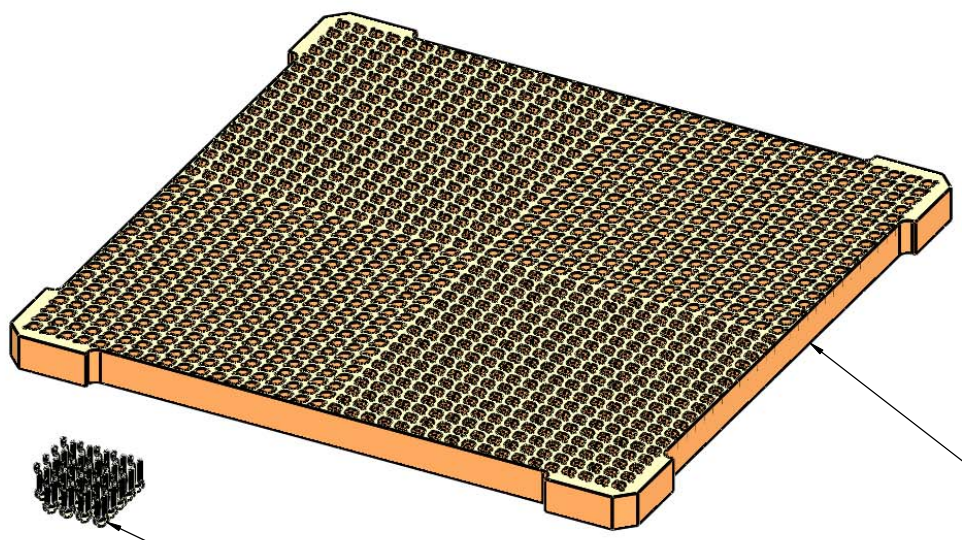
LEGEND:

- NOTE CALLOUT
- REVISION CHANGE
- ITEM NUMBER

SCALE: SEE BOM

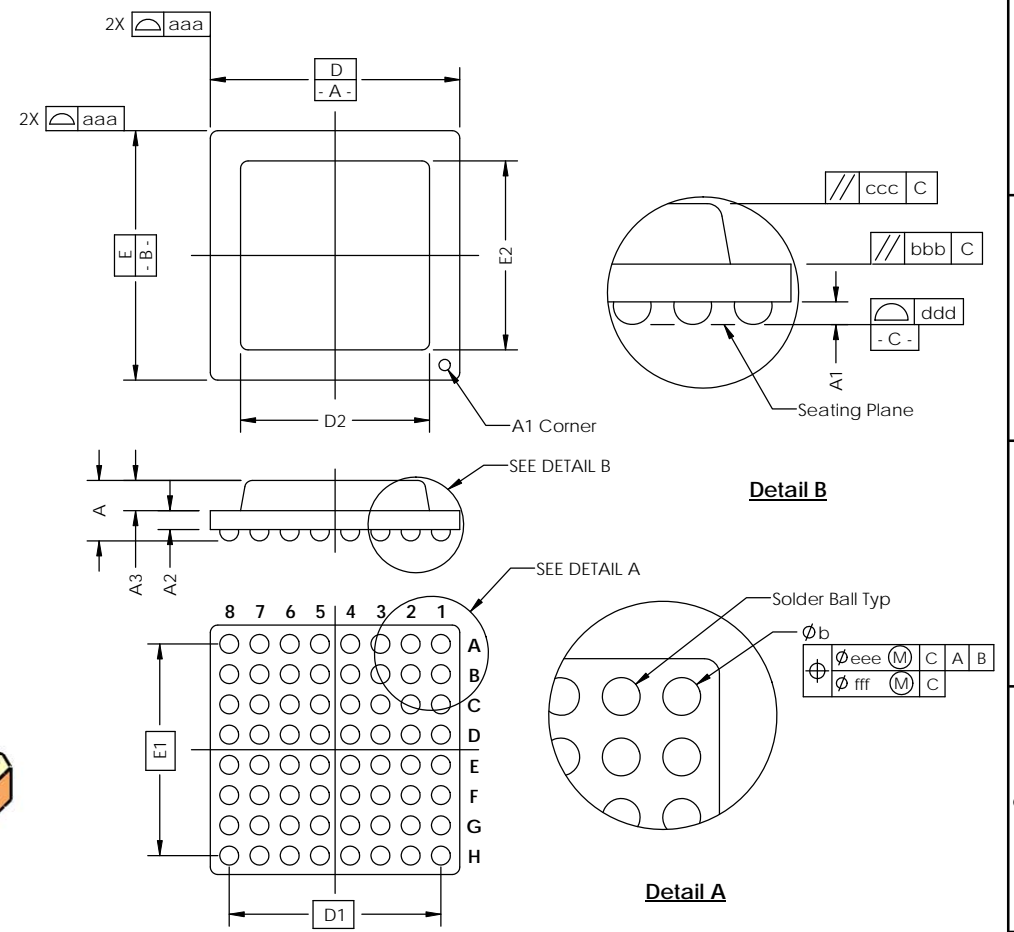
SOCKET FOR DEVICES THAT ARE WITHIN THESE SPECIFICATIONS					
Lead Count	<b>N</b>	1296	Package Size	<b>D</b>	37.50
Columns	<b>ND</b>	36	Ball Spacing	<b>E</b>	37.50
Rows	<b>NE</b>	36		<b>D1</b>	35.000
Pitch	<b>e</b>	1.00	Encapsulant/ Top Size	<b>E1</b>	35.000
Ball Size	<b>b</b>	0.60±0.05		<b>D2</b>	N/A
Total Thickness	<b>A</b>	N/A	Pattern Style	<b>E2</b>	N/A
Ball Height	<b>A1</b>	0.375 MIN		Full Grid	
Substrate Thickness	<b>A2</b>	N/A	Perimeter Rows		N/A
Top Thickness	<b>A3</b>		Center Array		N/A
Form Tolerances					
Edge	<b>aaa</b>	0.20	Bottom	<b>ddd</b>	0.15
Substrate	<b>bbb</b>	0.20	Position	<b>eee</b>	0.20
top	<b>ccc</b>	0.20	Position	<b>fff</b>	0.08

All dimensions are in millimeters.  
\* See footprint for pattern details.



HOUSING  
106550-0015

CONTACTS  
104468-0009



**Generic Representation with Full Grid Array**

THE INFORMATION CONTAINED IN THIS DRAWING IS THE SOLE PROPERTY OF CASCADE MICROTECH, INC. ANY REPRODUCTION IN PART OR WHOLE WITHOUT THE WRITTEN PERMISSION OF CASCADE MICROTECH, INC. IS PROHIBITED.

UNLESS OTHERWISE SPECIFIED  
- DIMENSIONS ARE IN MILLIMETERS  
- DIMES APPLY AFTER PLATING  
TOLERANCES UNLESS OTHERWISE NOTED: DECIMALS  
ANGLES X.X  $\pm 0.25$   
X.XX  $\pm 0.10$   
X.XXX  $\pm 0.050$

LEGEND:  
 NOTE CALLOUT  
 REVISION CHANGE  
 ITEM NUMBER

7115 NORTHLAND TERRACE SUITE 400  
BROOKLYN PARK, MN 55428  
(763) 509-0066

**SCKT, 1296G8037.5-1.00**

SCALE: **C** (DRAWN FOR) **C** (SOLIDWORKS) **106652-0015** (DRAWING NO.) **C** (REV)  
SCALE: **See Page 1** (SCALE) **2** (SHEET) **2 of 2** (PAGE)