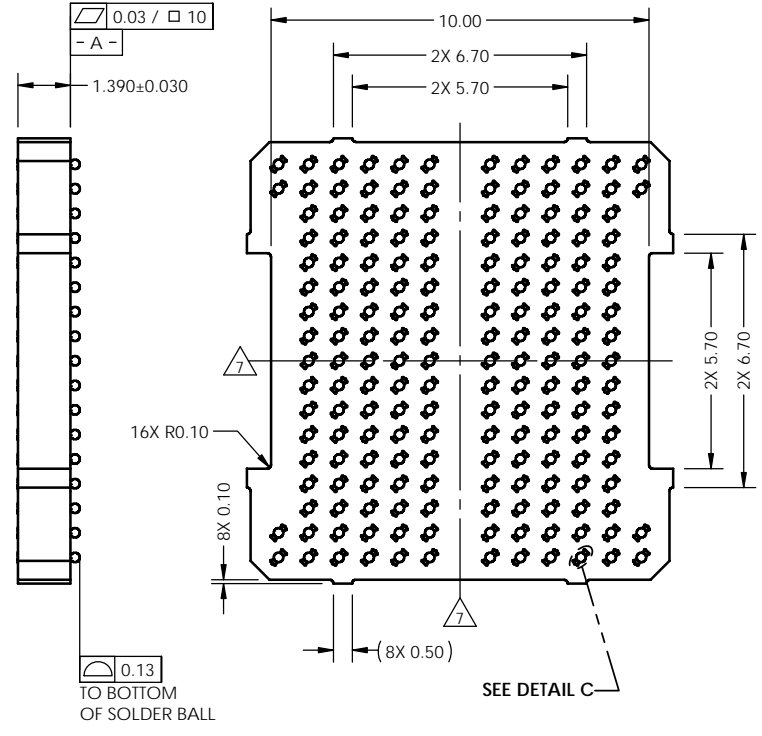
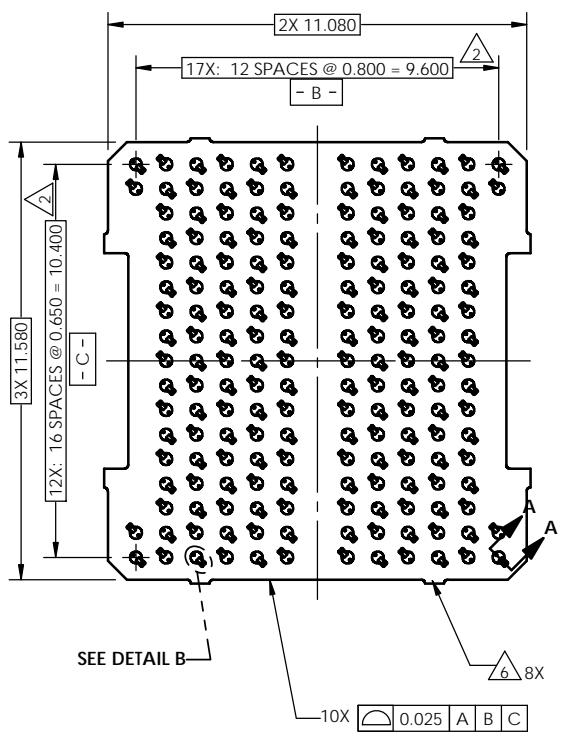


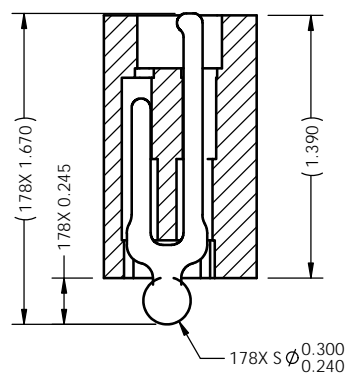
REV	ECO	BY	DESCRIPTION	APV	DATE
A	31078	SK	Initial Design	KW	05/09/12



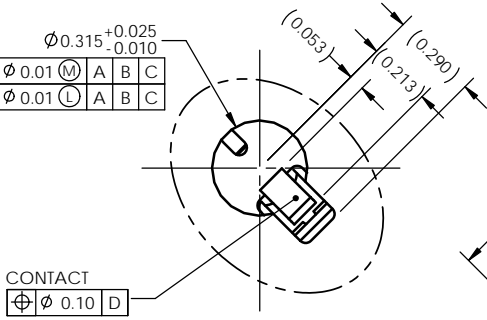
Notes:

- Reference R&D Interconnect Solutions specification 103862-0001 for solder attachment.
- Dimension locates center of contact/ slot.
- Reference R&D Interconnect Solutions specification 103863-0001 for application notes.
- Footprint part number 104311-0320.
- Datums B and C are determined by $\phi 0.315$ openings on corner slots.
- Tooling marks permitted. Maximum 0.10 protrusion (shown).
- E - Center of ball pattern.
- F - Center of Contact.

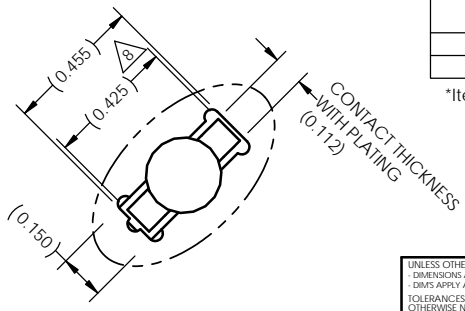
$\phi 0.01$	M	A	B	C
$\phi 0.01$	L	A	B	C



SECTION A-A
SCALE 5:1



DETAIL SEE DETAIL B
SCALE 8:1



DETAIL C
SCALE 8:1

Parts List			
Item No.	Qty.	Part Number	Description
-	-	107140-0035	SCKT, 178G4011X11.5-0.80X0.65
-	-	103864-0061	PRESS, DEVICE INSERT, GRYP 11X11.5 (SOLD SEPARATELY)
-	-	105900-0004	EXTRACTION TOOL, 4 X 53 (SOLD SEPARATELY)
1	1	107141-0035	CS, 178G4011X11.5-0.80X0.65 W/SOLDER BALLS
2*	1	106083-0058	FRAME, ALIGN, G40 11X11.5

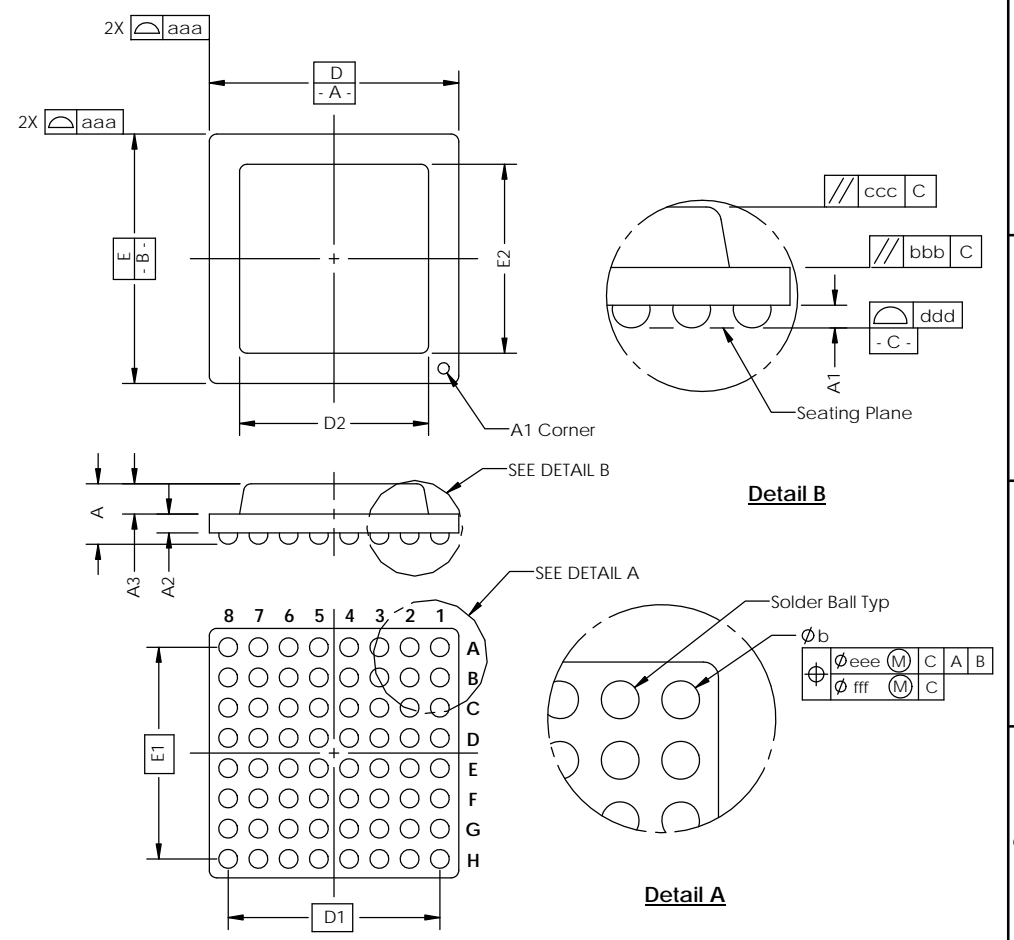
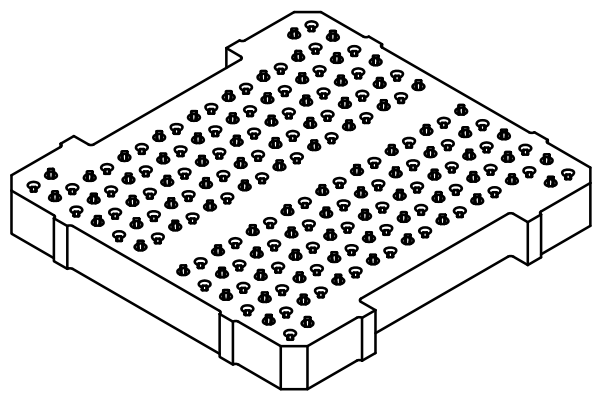
*Item not shown

UNLESS OTHERWISE SPECIFIED DIMENSIONS ARE IN MILLIMETERS DIMS APPLY AFTER PLATING TOLERANCES UNLESS OTHERWISE NOTED:

ANGLES	DECIMALS	DATE	 7115 NORTHLAND TERRACE SUITE 400 BROOKLYN PARK, MN 55428 (763) 509-0066
±1°	XX ±0.25 XXX ±0.10 XXXX ±0.050	05/09/12	
DRAWING APPROVALS		DATE	SCKT, 178G4011X11.5-0.80X0.65
DESIGNED: S. Klanderud APPROVED: K. Wilson		05/09/12	
LEGEND:		THIRD ANGLE PROJECTION	SHEET: A 1 of 2
△	NOTE CALLOUT	SCALE: C	SEE BOM
△	REVISION CHANGE	MATERIAL:	
⊗	ITEM NUMBER		

SOCKET FOR DEVICES THAT ARE WITHIN THESE SPECIFICATIONS					
Lead Count	N	178	Package Size	D	11.00
Columns	ND	13		E	11.50
Rows	NE	17	Ball Spacing	D1	9.60
Pitch	e	0.80x0.65		E1	10.40
Ball Size	b	0.25±0.05	Encapsulant/ Top Size	D2	n/a
Total Thickness	A	n/a		E2	n/a
Ball Height	A1	0.175 MIN	Pattern Style	Irregular*	
Substrate Thickness	A2	n/a	Perimeter Rows	n/a	
Top Thickness	A3		Center Array	n/a	
Form Tolerances					
Edge	aaa	0.10	Bottom	ddd	0.08
Substrate	bbb	0.10	Position	eee	0.10
top	ccc	0.10	Position	fff	0.05

All dimensions are in millimeters.
* See footprint for pattern details.



Generic Representation with Full Grid Array

<small>THE INFORMATION CONTAINED IN THIS DRAWING IS THE SOLE PROPERTY OF R&D INTERCONNECT SOLUTIONS. ANY REPRODUCTION IN PART OR WHOLE WITHOUT THE WRITTEN PERMISSION OF R&D INTERCONNECT SOLUTIONS IS PROHIBITED.</small>			
<small>UNLESS OTHERWISE SPECIFIED - DIMENSIONS ARE IN MILLIMETERS - DIMS APPLY AFTER PLATING TOLERANCES UNLESS OTHERWISE NOTED:</small>		7115 NORTHLAND TERRACE SUITE 400 BROOKLYN PARK, MN 55428 (763) 509-0066	
<small>DECIMALS X.X ±0.25 X.XX ±0.10 X.XXX ±0.050</small>	SCKT, 178G4011X11.5- 0.80X0.65		
<small>LEGEND: NOTE CALLOUT REVISION CHANGE ITEM NUMBER</small>	<small>SCALE: C</small>	<small>DRAWING NO: 107140-0035</small>	<small>REV: A</small>
<small>SEE: CAD FORMAT</small>		<small>MATERIAL: SOLIDWORKS</small>	<small>SHEET: 2 of 2</small>
<small>See Page 1</small>			