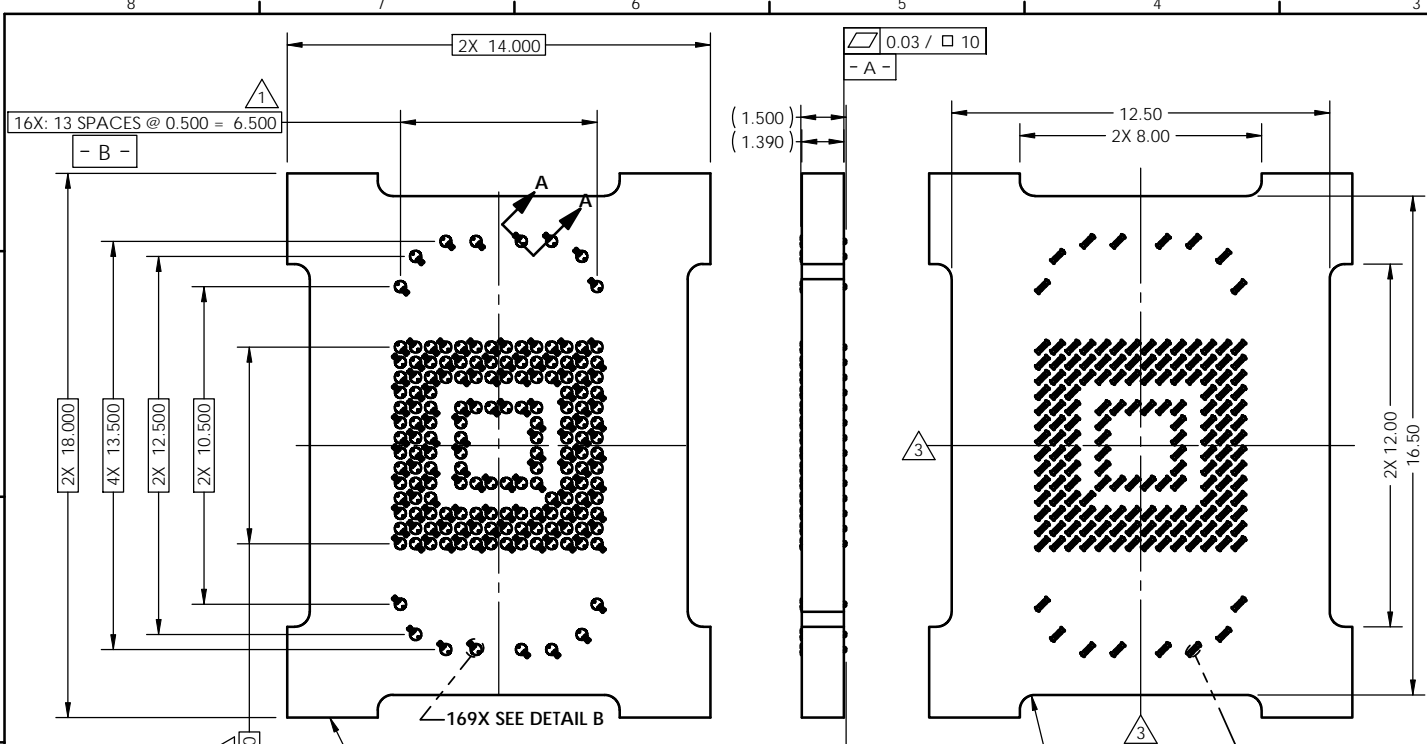
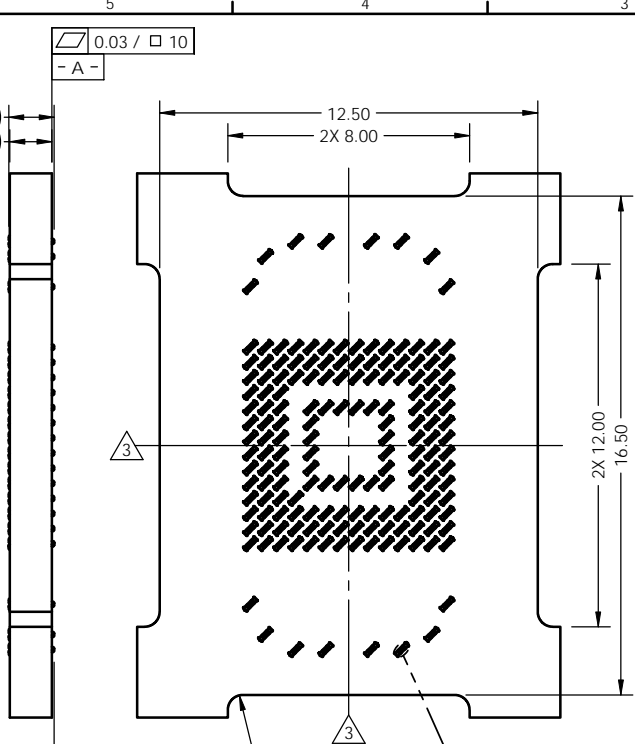


REV	ECO	BY	DESCRIPTION	APV	DATE
A	30358	CW	Initial Design	ET	05/20/10



SOCKET TOP (DUT) VIEW



SOCKET BOTTOM (PWB) VIEW

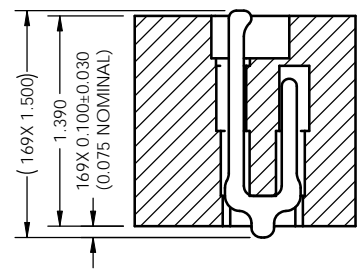
- Notes:
- 1 Dimension locates center of contact/slot.
 - 2. Datums B and C are determined by $\phi 0.365$ openings on corner slots.
 - 3 - E - Center of contact pattern.

14X: 13 SPACES @ 0.500 = 6.500
- C -

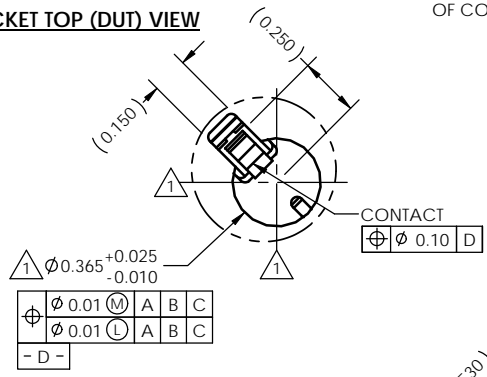
8X $\frac{0.025}{A B C}$

0.08
TO BOTTOM OF CONTACT

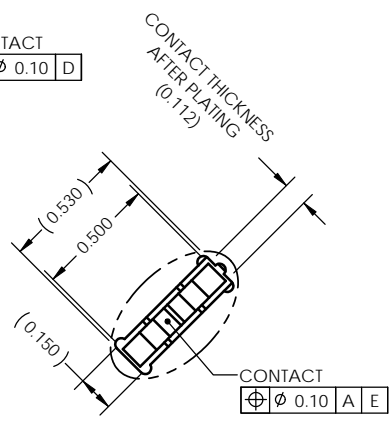
169X SEE DETAIL C



SECTION A-A
Scale 5:1



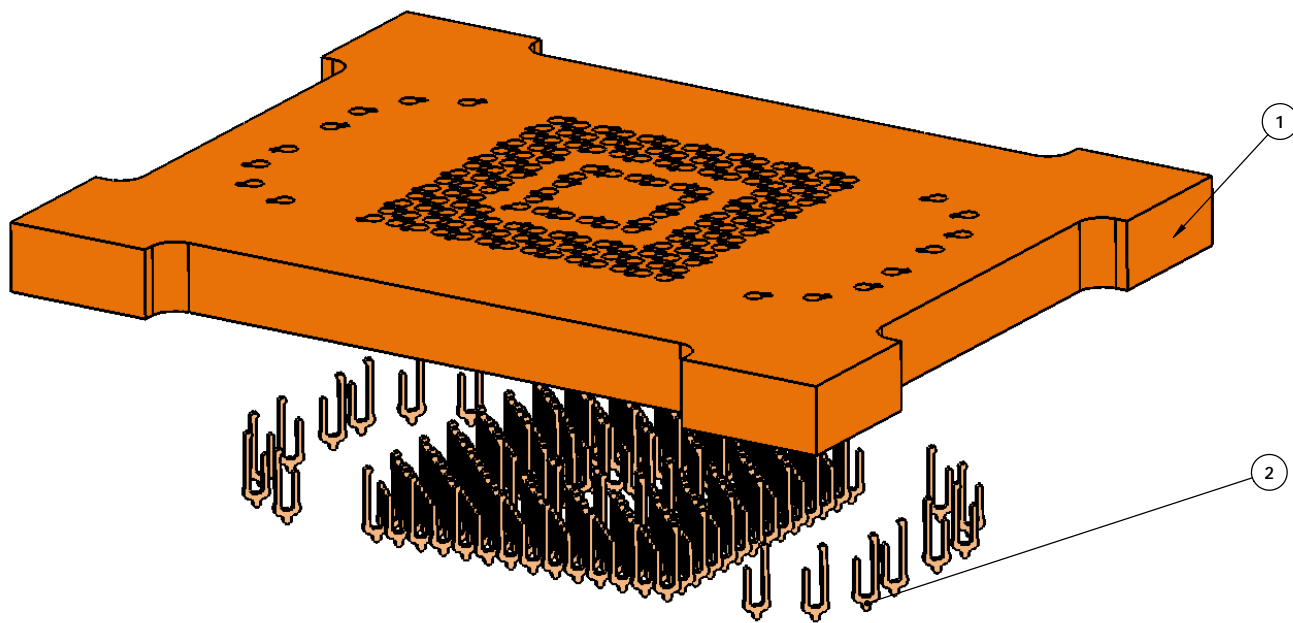
DETAIL B (169X)
Scale 8:1



DETAIL C (169X)
Scale 8:1

UNLESS OTHERWISE SPECIFIED DIMENSIONS ARE IN MILLIMETERS DIMS APPLY AFTER PLATING TOLERANCES UNLESS OTHERWISE NOTED:

ANGLES	DECIMALS	DRAWING APPROVALS		THE INFORMATION CONTAINED IN THIS DRAWING IS THE SOLE PROPERTY OF CASCADE MICROTECH, INC. ANY REPRODUCTION IN PART OR WHOLE WITHOUT THE WRITTEN PERMISSION OF CASCADE MICROTECH, INC. IS PROHIBITED.	
$\pm 1^\circ$	XX ± 0.25 XXX ± 0.10 XXXX ± 0.050	DESIGN: C. Wymer	DATE: 05/19/10	7115 NORTHLAND TERRACE SUITE 400 BROOKLYN PARK, MN 55428 (763) 509-0066	
LEGEND:		APPROV: E. Turin	DATE: 05/20/10		
\triangle NOTE CALLOUT		THIRD ANGLE PROJECTION		CS, 169G40 14X18-0.50 W/O SOLDER BALLS	
\triangle REVISION CHANGE		SCALE: C	SOLIDWORKS	DESIGN NO: 107248-0012	SHEET: A
\times ITEM NUMBER		SEE BOM		1 of 2	



PARTS LIST			
ITEM NO.	QTY.	PART NUMBER	Description
1	1	107247-0012	HSG, 169G40 14X18-0.50
2	169	104468-0015	CONTACT, GRYH, HALF

THE INFORMATION CONTAINED IN THIS DRAWING IS THE SOLE PROPERTY OF CASCADE MICROTECH, INC.
 ANY REPRODUCTION IN PART OR WHOLE WITHOUT THE WRITTEN PERMISSION OF CASCADE MICROTECH, INC. IS PROHIBITED.

UNLESS OTHERWISE SPECIFIED
 - DIMENSIONS ARE IN MILLIMETERS
 - DIMS APPLY AFTER PLATING
 TOLERANCES UNLESS OTHERWISE NOTED: DECIMALS
 ANGLES X.X ±0.25
 X.XX ±0.10
 X.XXX ±0.050

7115 NORTHLAND TERRACE SUITE 400
 BROOKLYN PARK, MN 55428
 (763) 509-0066

CASCADE
 MICROTECH

CS, 169G40 14X18-0.50
W/O SOLDER BALLS

REV: C CAD FORMAT: SOLIDWORKS DRAWING NO: 107248-0012 REV: A

LEGEND:
 (X) NOTE CALLOUT
 (A) REVISION CHANGE
 (X) ITEM NUMBER

SCALE: See Page 1 SHEET: 2 of 2