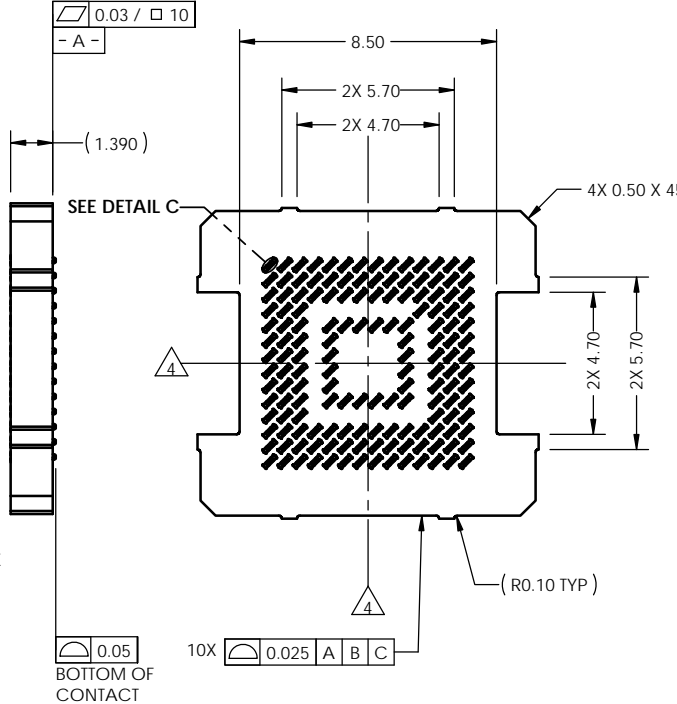
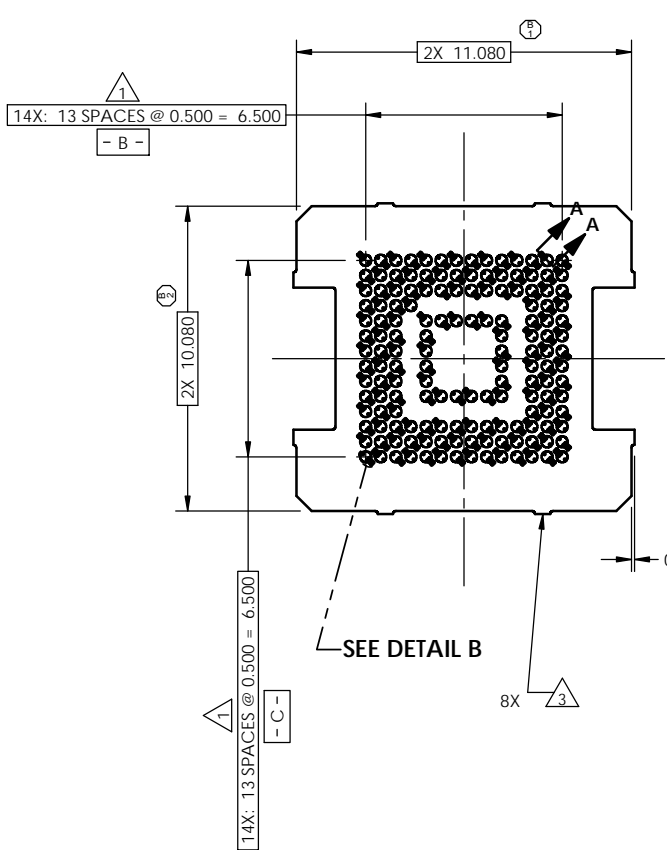
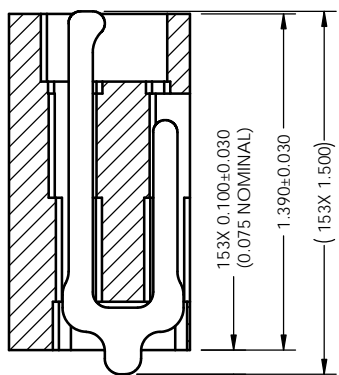


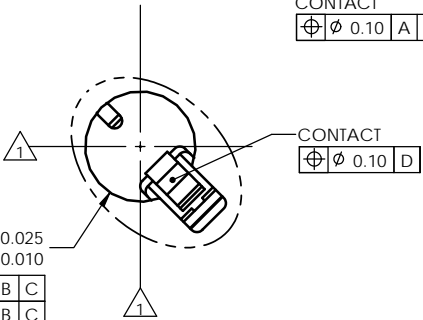
REV	ECO	BY	DESCRIPTION	APV	DATE
A	31248	MP	Initial Design	MP	01/30/13
B	31253	MP	1) Was 10.080 2) Was 11.080	MP	02/08/13



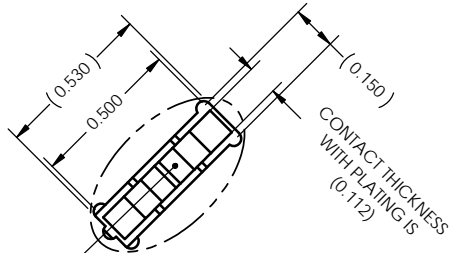
- Notes:
- 1 Dimension locates center of contact/slot.
 - 2. Datums - B - and - C - are determined by $\phi 0.365$ openings in corner slots.
 - 3 Tooling marks permitted. Maximum 0.10 protrusion (shown).
 - 4 - E - Center of contact pattern.



SECTION A-A
SCALE 8:1



DETAIL B (153X)
SCALE 10:1



DETAIL C (153X)
SCALE 10:1

$\phi 0.01$ (M)	A	B	C
$\phi 0.01$ (L)	A	B	C
- D -			

CONTACT	$\phi 0.10$	A	E
---------	-------------	---	---

CONTACT	$\phi 0.10$	D
---------	-------------	---

HSIO technologies
PROPRIETARY AND CONFIDENTIAL

THE INFORMATION CONTAINED IN THIS DRAWING IS THE SOLE PROPERTY OF HSIO TECHNOLOGIES, LLC. ANY REPRODUCTION IN PART OR AS A WHOLE WITHOUT THE WRITTEN PERMISSION OF HSIO TECHNOLOGIES, LLC IS PROHIBITED.

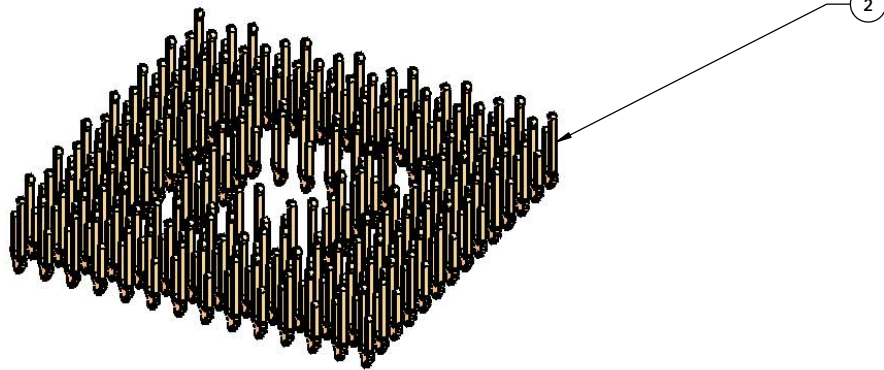
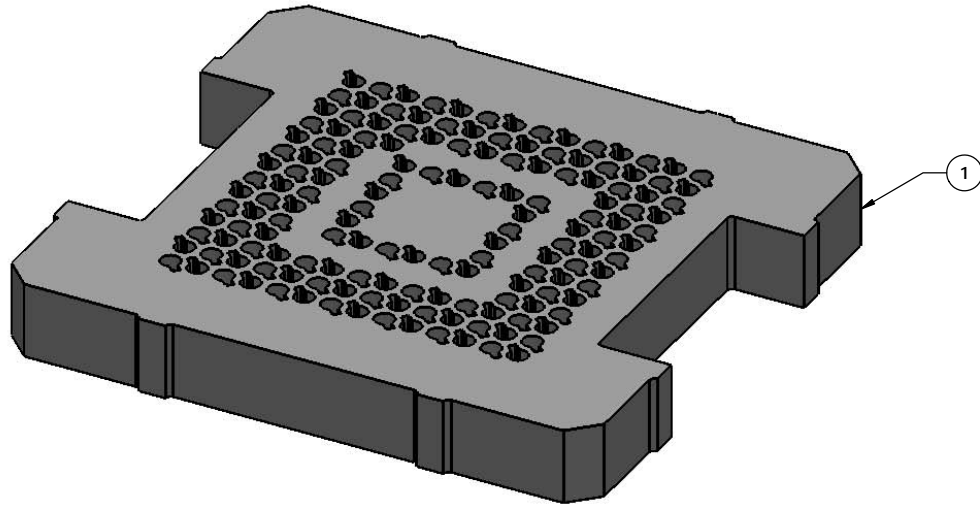
UNLESS OTHERWISE SPECIFIED:	
DIMENSIONS ARE IN MILLIMETERS	
TOLERANCES:	
ANGULAR ± 1°	
X.X ± 0.25	
X.XX ± 0.10	
X.XXX ± 0.050	
INTERPRET GEOMETRIC TOLERANCING PER:	
MATERIAL	
SEE BOM	
FINISH	
DO NOT SCALE DRAWING	

NAME	DATE
DRAWN M. Peery	01/30/13
CHECKED M. Peery	01/30/13

LEGEND:


- △ NOTE CALLOUT
- REVISION CHANGE
- ITEM NUMBER

HSIO TECHNOLOGIES, LLC.	
13300 67th AVENUE NORTH	
MAPLE GROVE, MINNESOTA 55311	
763-447-6260	
TITLE:	
CS, 153G4010X11-0.50, W/O	
SOLDER BALLS	
DWG. NO.	REV
107248-0045	B
SCALE: 10:1	SIZE: C
SHEET 1 OF 2	



ITEM NO.	QTY.	PART NUMBER	DESCRIPTION
1	1	107247-0045	HSG, 153G4010X11-0.50
2	153	104468-0015	CONTACT, GRYH, HALF

PROPRIETARY AND CONFIDENTIAL
THE INFORMATION CONTAINED IN THIS DRAWING IS THE SOLE PROPERTY OF HSGIO TECHNOLOGIES, LLC. ANY REPRODUCTION IN PART OR AS A WHOLE WITHOUT THE WRITTEN PERMISSION OF HSGIO TECHNOLOGIES, LLC IS PROHIBITED.

<small>UNLESS OTHERWISE SPECIFIED:</small>	<small>NAME</small>	<small>DATE</small>	HSGIO TECHNOLOGIES, LLC. 13300 67th AVENUE NORTH MAPLE GROVE, MINNESOTA 55311 763-447-6260
<small>DIMENSIONS ARE IN MILLIMETERS</small>	<small>DRAWN</small>	<small>M. Peery 01/30/13</small>	
<small>TOLERANCES: ANGULAR: ± 1° X.X ±0.25 X.XX ±0.10 X.XXX ±0.050</small>	<small>CHECKED</small>	<small>M. Peery 01/30/13</small>	
<small>LEGEND:</small>			<small>TITLE:</small> CS, 153G4010X11-0.50, W/O SOLDER BALLS
<small>△ NOTE CALLOUT ○ REVISION CHANGE ○ ITEM NUMBER</small>	HSGIO technologies		<small>DWG. NO.</small> 107248-0045
			<small>REV</small> B
			<small>SCALE: 5:1</small> <small>SIZE: C</small> <small>SHEET 2 OF 2</small>