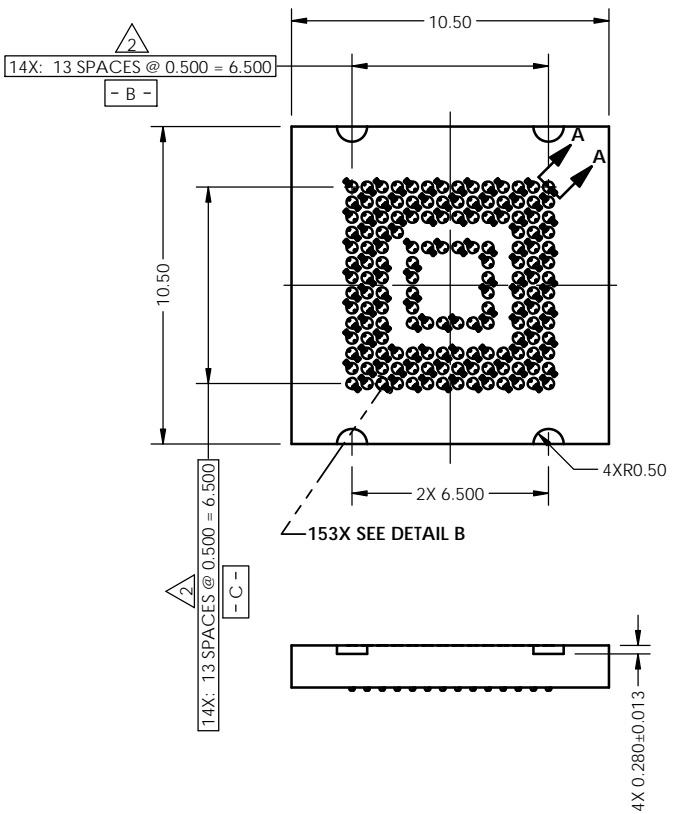
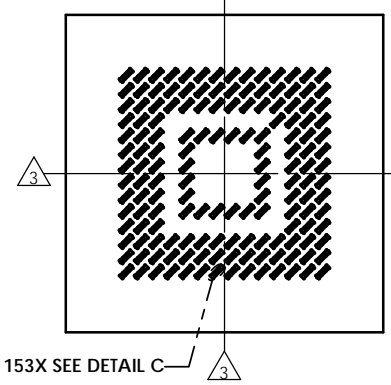


REV	ECO	BY	DESCRIPTION	APV	DATE
A	31315	AS	Initial Design	MP	06/27/13

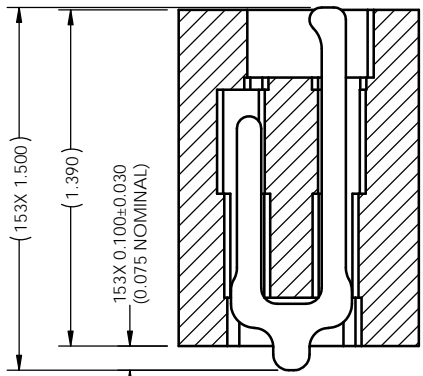


0.03 / □ 10
- A -

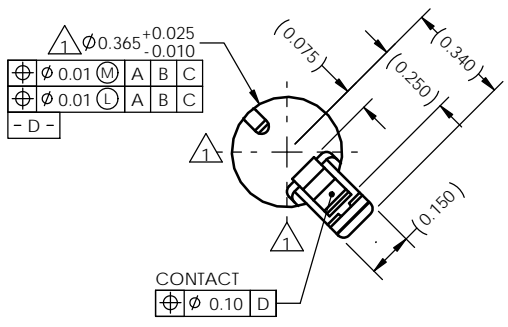


- Notes:
- 1 Locates center of contact/ slot.
 - 2 Datums - B - and - C - are determined by $\phi 0.365$ features on corner slots.
 - 3 - E - Center of contact pattern.

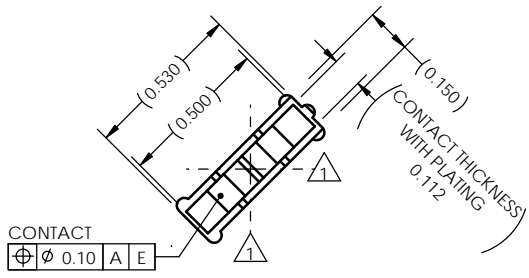
0.08
TO BOTTOM
OF CONTACTS



SECTION A-A
SCALE 8:1



DETAIL B (153X)
SCALE 10:1



DETAIL C (153X)
SCALE 10:1

HSIOtechnologies
PROPRIETARY AND CONFIDENTIAL

THE INFORMATION CONTAINED IN THIS DRAWING IS THE SOLE PROPERTY OF HSIO TECHNOLOGIES, LLC. ANY REPRODUCTION IN PART OR AS A WHOLE WITHOUT THE WRITTEN PERMISSION OF HSIO TECHNOLOGIES, LLC IS PROHIBITED.

UNLESS OTHERWISE SPECIFIED:
DIMENSIONS ARE IN MILLIMETERS
TOLERANCES:
ANGULAR ± 1°
XX ± 0.25
XXX ± 0.10
XXXX ± 0.050

INTERPRET GEOMETRIC TOLERANCING PER:
MATERIAL
SEE BOM
FINISH

DO NOT SCALE DRAWING

	NAME	DATE
DRAWN	AS	06/27/13
CHECKED	MP	06/27/13

LEGEND:

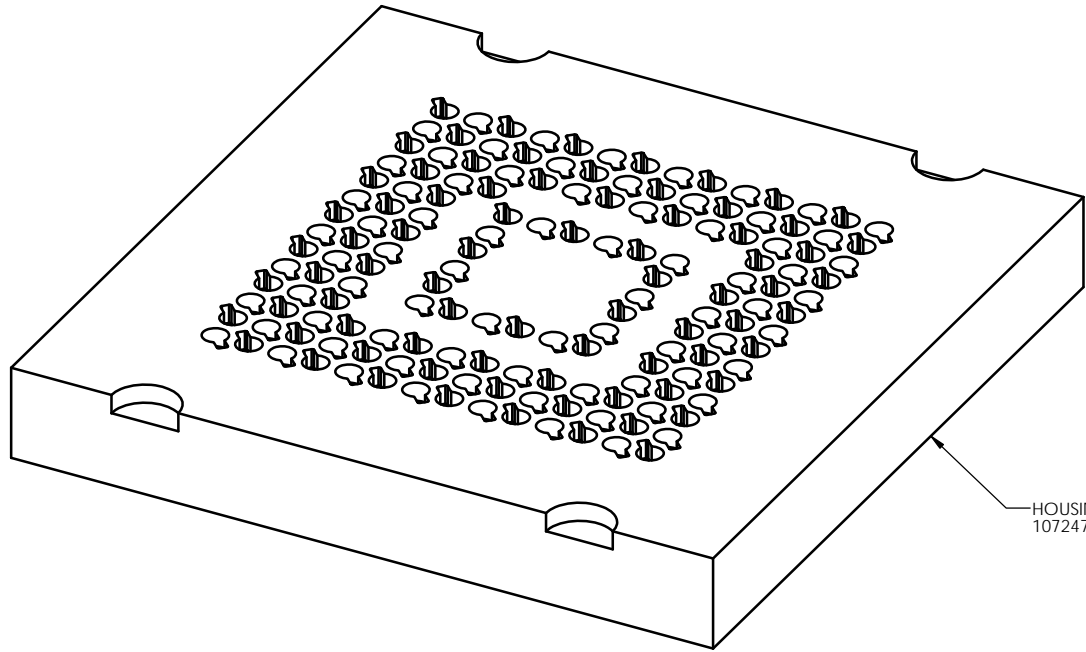
- △ NOTE CALLOUT
- REVISION CHANGE
- ITEM NUMBER

HSIO TECHNOLOGIES, LLC.
13300 67th AVENUE NORTH
MAPLE GROVE, MINNESOTA 55311
763-447-6260

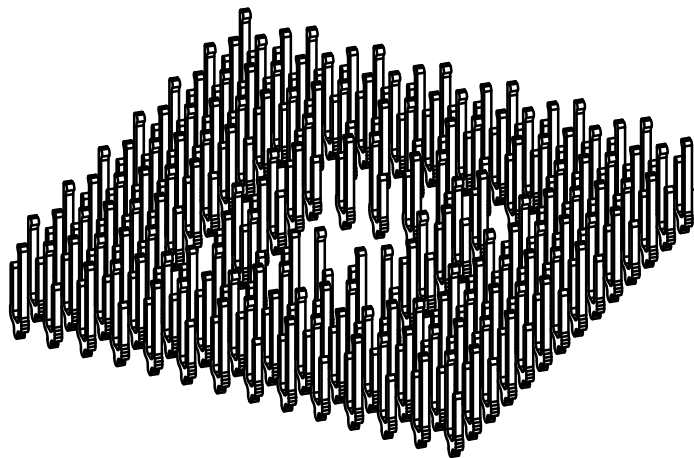
TITLE:
CS, 153G40 10.5-0.50, W/O
SOLDER BALLS

DWG. NO.	REV
107248-0052	A

SCALE: 10:1 | SIZE: C | SHEET 1 OF 2




HOUSING
107247-0052



153X CONTACT
104468-0015

PROPRIETARY AND CONFIDENTIAL
THE INFORMATION CONTAINED IN THIS DRAWING IS THE SOLE PROPERTY OF HSIQ TECHNOLOGIES, LLC. ANY REPRODUCTION IN PART OR AS A WHOLE WITHOUT THE WRITTEN PERMISSION OF HSIQ TECHNOLOGIES, LLC IS PROHIBITED.

UNLESS OTHERWISE SPECIFIED:	NAME	DATE	HSIQ TECHNOLOGIES, LLC. 13300 67th AVENUE NORTH MAPLE GROVE, MINNESOTA 55311 763-447-6260	
DIMENSIONS ARE IN MILLIMETERS	DRAWN	AS		06/27/13
TOLERANCES: ANGULAR: ± 1° XX ±0.25 XXX ±0.10 X:XXX ±0.050	CHECKED	MP		06/27/13
LEGEND: △ NOTE CALLOUT ◇ REVISION CHANGE ○ ITEM NUMBER	 HSIQ technologies		TITLE: CS, 153G40 10.5-0.50, W/O SOLDER BALLS	
		DWG. NO.	REV	
		107248-0052	A	
		SCALE: 5:1	SIZE: C SHEET 2 OF 2	