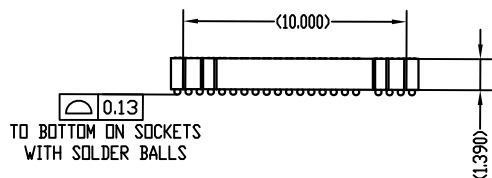
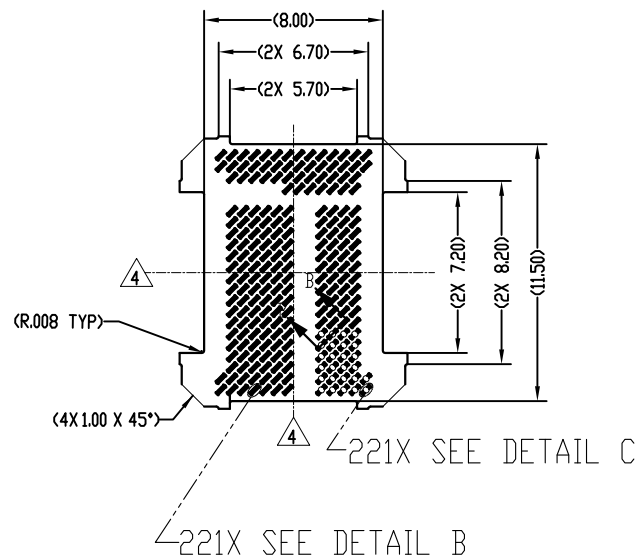
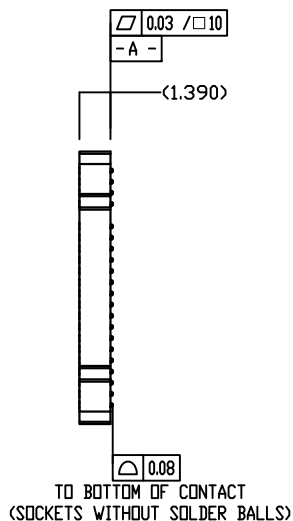
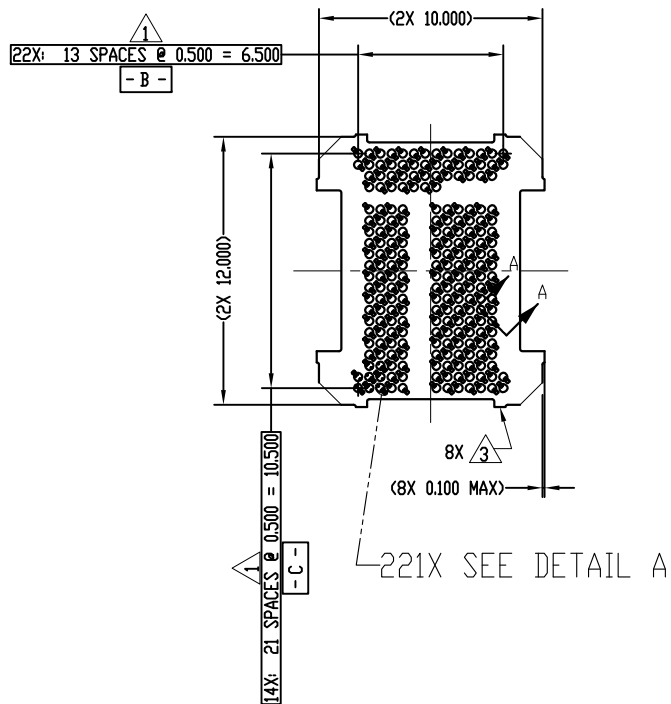


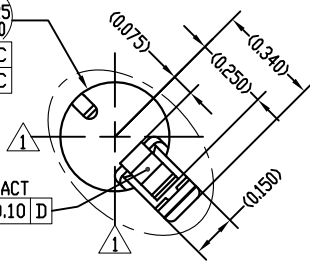
REV	ECO	BY	DESCRIPTION	APV	DATE
A	31502	RS	Initial Design	NSJ	05/02/14



Parts List	
Part Number	Description
109001-0001	SOCKET, 221G40 10.00X12.00-0.50 (WITH EUTECTIC SOLDER BALLS)
109001-0002	SOCKET, 221G40 10.00X12.00-0.50 (WITH SAC305 SOLDER BALLS)
109001-0003	SOCKET, 221G40 10.00X12.00-0.50 (WITHOUT SOLDER BALLS)
104553-0338	STENCIL, FLEX, 221G40 10.00X12.00-0.50 (SOLD SEPARATELY)
105900-0004	EXTRACTION TOOL, 4X53 (SOLD SEPARATELY)
108639-0014	FRAME, ALIGNMENT, G40, 10.00X12.00 (SOLD SEPARATELY)
103864-0054	PRESS, DEVICE INSERT, GRYP 10.00X11.00 (SOLD SEPARATELY)

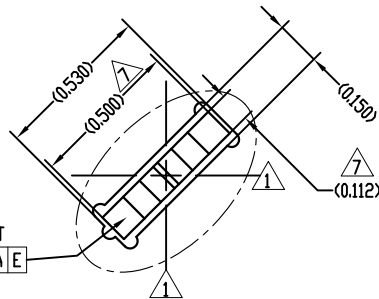
UNLESS OTHERWISE SPECIFIED - DIMENSIONS ARE IN MILLIMETERS - DIM'S APPLY AFTER PLATING		THE INFORMATION CONTAINED IN THIS DRAWING IS THE SOLE PROPERTY OF HSIQ TECHNOLOGIES, LLC. ANY REPRODUCTION IN PART OR WHOLE WITHOUT THE WRITTEN PERMISSION OF HSIQ TECHNOLOGIES, LLC IS PROHIBITED.	
TOLERANCES UNLESS OTHERWISE NOTED:		CAD GENERATED DRAWING DO NOT MANUALLY UPDATE	
ANGLES ±1'	DECIMALS XXX ±0.25 XXX ±0.10 XXXX ±0.050	DRAWING APPROVALS	
LEGEND:		NAME	DATE
(X) NOTE CALLOUT		R. Sewharack	05/02/14
(RT) REVISION CHANGE		N. St Jacques	05/02/14
(X) ITEM NUMBER		TITLE	
		SCKT, 221G40 10.00 X 12.00-0.50	
		SCALE	REV. A
		C	
		AUTOCAD	
		DRAWING NO.	109001-XXXX
		MATERIAL	SEE B.O.M
		SHEET	1 of 3

⊕	∅0.01	M	A	B	C
⊕	∅0.01	C	A	B	C
-D-					

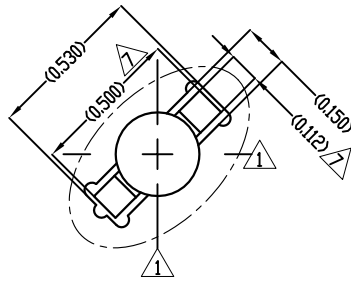


DETAIL A (221X)
SCALE 10:1

⊕	∅0.10	A	E
---	-------	---	---



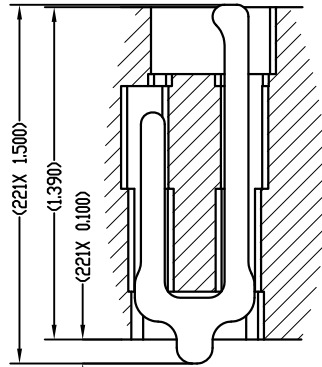
DETAIL B (221X)
SCALE 10:1



DETAIL C (221X)
SCALE 10:1

NOTES:

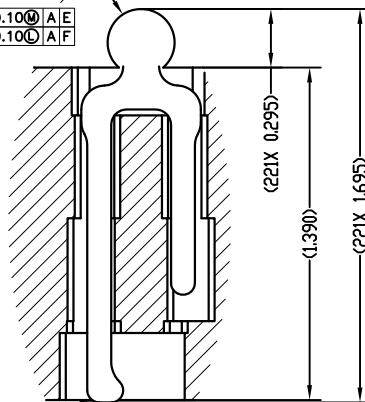
- 1 Triangle symbol: Dimension locates center of contact/slot.
- 2 Datum's **-B-** and **-C-** are determined by ∅0.365 features on corner slots.
- 3 Triangle symbol with '3': Tooling marks permitted. Maximum 0.10 protrusion shown.
- 4 Triangle symbol with '4': **-E-** Center of contact pattern.
- 5 Reference HSIO Technologies specification 700001-0001 for solder attachment.
- 6 Reference HSIO Technologies specification 700001-0002 for application notes.
- 7 Triangle symbol with '7': **-F-** Center of contact.



SECTION A-A
SCALE 10:1

VIEW WITHOUT SOLDER BALLS

(221X S ∅0.350 / 0.290)
⊕ ∅0.10 A E
⊕ ∅0.10 A F



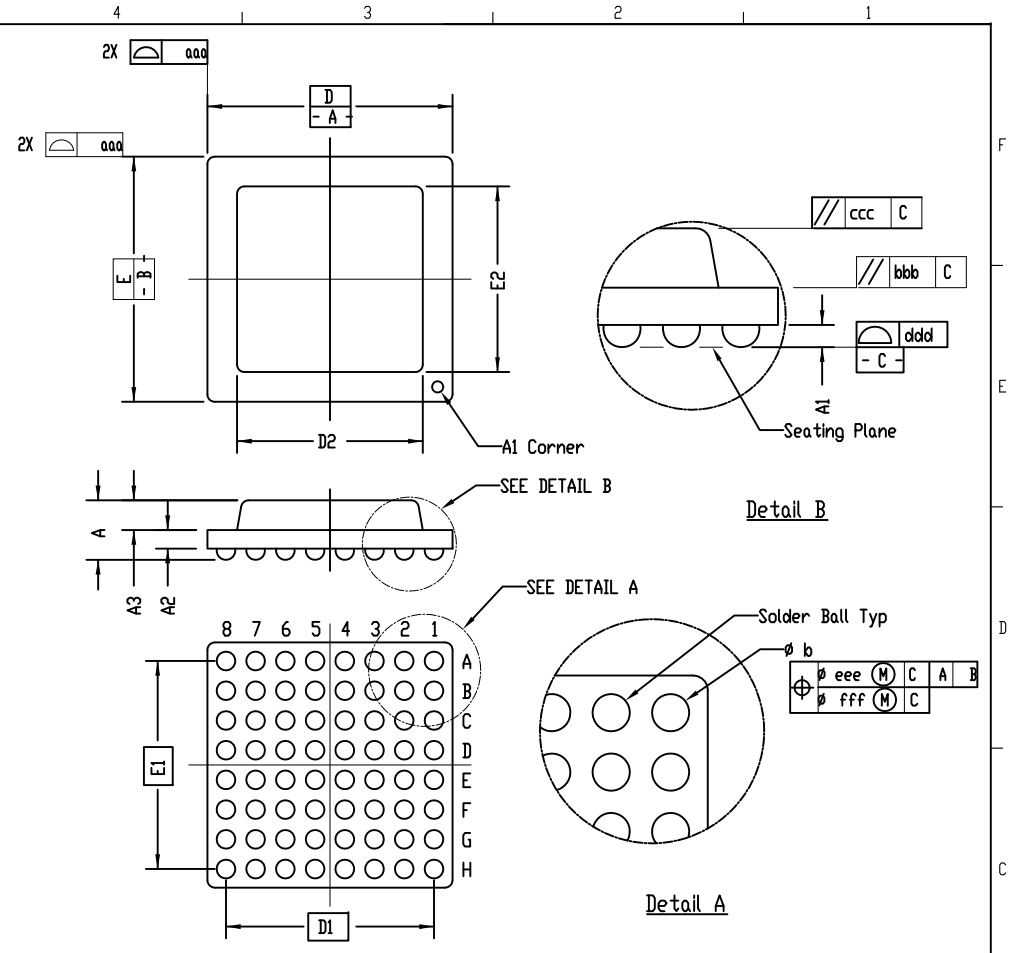
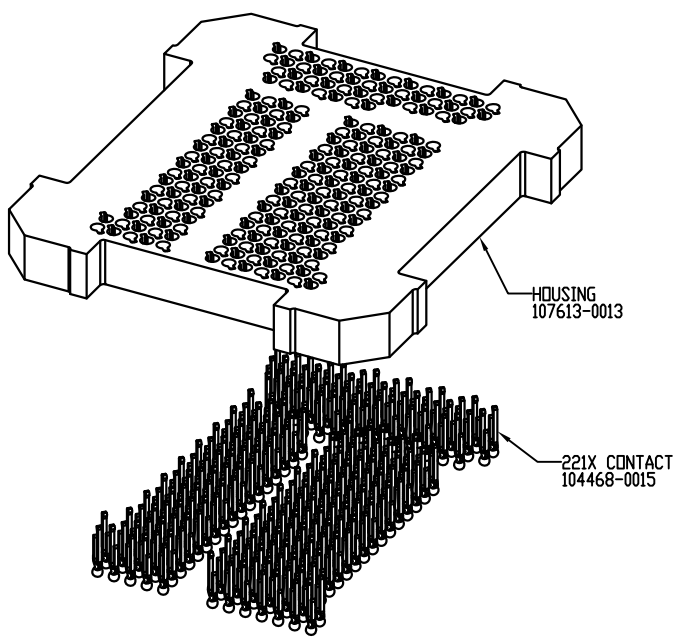
SECTION B-B
SCALE 8:1

VIEW WITH SOLDER BALLS
(EUTECTIC/SAC305)

THE INFORMATION CONTAINED IN THIS DRAWING IS THE SOLE PROPERTY OF HSIO TECHNOLOGIES, LLC. ANY REPRODUCTION IN PART OR WHOLE WITHOUT THE WRITTEN PERMISSION OF HSIO TECHNOLOGIES, LLC. IS PROHIBITED.			
UNLESS OTHERWISE SPECIFIED - DIMENSIONS ARE IN MILLIMETERS - DIM'S APPLY AFTER PLATING TOLERANCES UNLESS OTHERWISE NOTED:		HSIO TECHNOLOGIES, LLC. 13300 67TH AVENUE NORTH MAPLE GROVE, MN 55311. 763-447-6260	
ANGLES ±1° DECIMALS X.XX ±0.25 X.XXX ±0.10 X.XXXX ±0.050		TITLE SCKT, 221G40 10.00 X 12.00-0.50	
LEGEND:	1 NOTE CALLOUT	SIZE C	REV. A
⊕ REVISION CHANGE	1 ITEM NUMBER	CAD FORMAT AUTOCAD	DRAWING NO. 109001-XXXX
		SCALE See Pg 1	SHEET 2 of 3

SOCKET FOR DEVICES THAT ARE WITHIN THESE SPECIFICATIONS					
Lead Count	N	221	Package Size	D	10.00
Columns	ND	14		E	12.00
Rows	NE	22	Ball Spacing	D1	6.500
Pitch	e	0.50		E1	10.500
Ball Size	b	0.30±0.05	Encapsulant/ Top Size	D2	n/a
Total Thickness	A	n/a		E2	n/a
Ball Height	A1	0.225 min.	Pattern Style	IRREGULAR*	
Substrate Thickness	A2	n/a	Perimeter Rows	n/a	
Top Thickness	A3		Center Array	n/a	
Form Tolerances					
Edge	aaa	0.10	Bottom	ddd	0.08
Substrate	bbb	0.10	Position	eee	0.15
top	ccc	0.10	Position	fff	0.05

All dimensions are in millimeters.



Generic Representation with Full Grid Array

THE INFORMATION CONTAINED IN THIS DRAWING IS THE SOLE PROPERTY OF HSIQ TECHNOLOGIES, LLC. ANY REPRODUCTION IN PART OR WHOLE WITHOUT THE WRITTEN PERMISSION OF HSIQ TECHNOLOGIES, LLC. IS PROHIBITED.			
UNLESS OTHERWISE SPECIFIED - DIMENSIONS ARE IN MILLIMETERS - DIM'S APPLY AFTER PLATING TOLERANCES UNLESS OTHERWISE NOTED:		HSIQ TECHNOLOGIES, LLC. 13300 67TH AVENUE NORTH MAPLE GROVE, MN 55311. 763-447-6260	
ANGLES DECIMALS ±1° X.XX ±0.25 X.XX ±0.10 X.XXX ±0.050		TITLE SCKT, 221G40 10.00 X 12.00-0.50	
LEGEND: ① NOTE CALLOUT Ⓐ REVISION CHANGE ① ITEM NUMBER	SIZE: C CAD FORMAT: AUTOCAD SCALE:	DRAWING NO: 109001-XXXX MATERIAL: See Pg 1	REV: A SHEET: 3of3