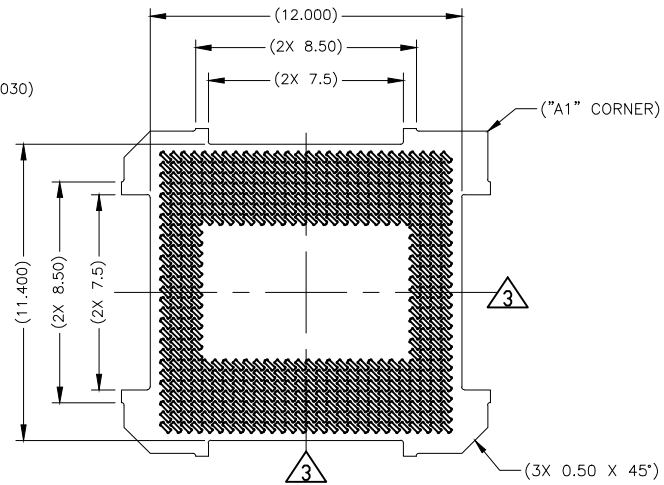
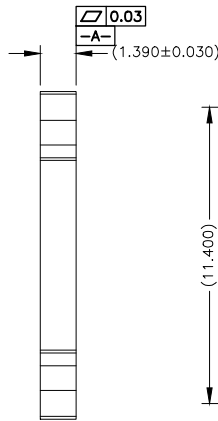
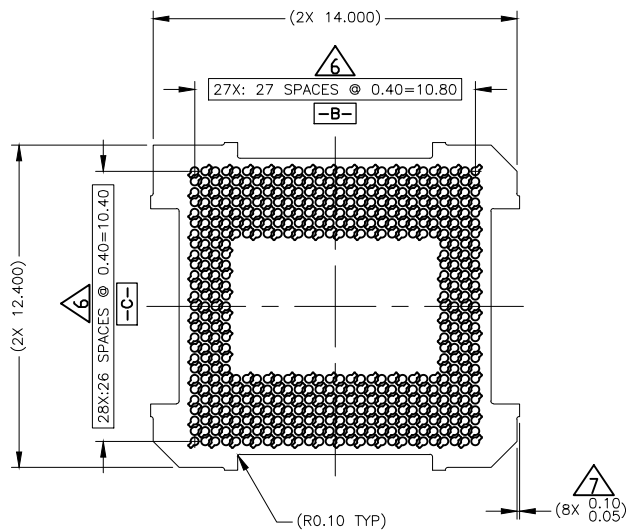


| REV | ECO   | BY | DESCRIPTION    | APV | DATE     |
|-----|-------|----|----------------|-----|----------|
| A   | 32036 | RS | INITIAL DESIGN | NSJ | 01/24/19 |
| B   | 32113 | RS | WAS 0.072      | JB  | 10/30/19 |



NOTES:

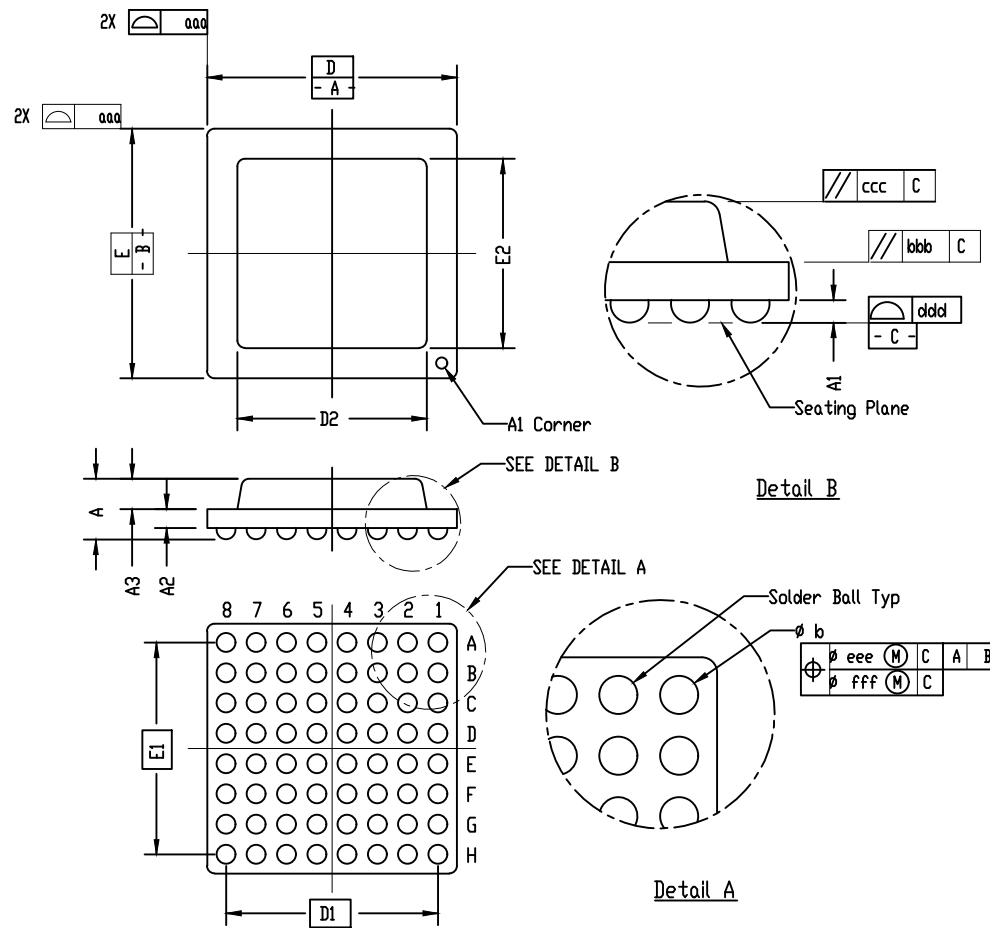
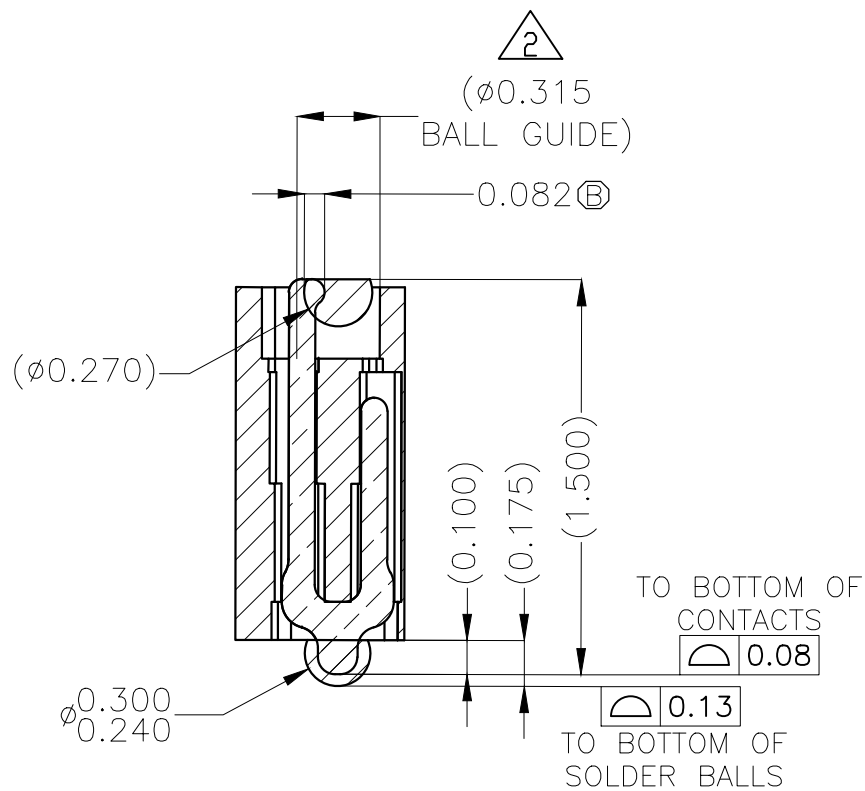
- UNLESS OTHERWISE NOTED, ALL FEATURES LOCATED  $\phi 0.10$  A B C
- DATUM'S -B- AND -C- ARE DETERMINED BY  $\phi 0.315$  FEATURES ON CORNER SLOTS.
- CENTER OF CONTACT PATTERN.
- REFERENCE HSIO TECHNOLOGIES SPECIFICATION 700001-0001 FOR SOLDER ATTACHMENT.
- REFERENCE HSIO TECHNOLOGIES SPECIFICATION 700001-0002 FOR APPLICATION NOTES.
- DIMENSION LOCATES CENTER OF CONTACT SLOT.
- TOOLING MARKS PERMITTED. MAXIMUM 0.10 PROTRUSION SHOWN.

| PART NUMBER | DESCRIPTION  |
|-------------|--|
| 109111-0001 | SCKT, 496G40 14.0X12.4-0.40 (EUTECTIC SOLDER BALLS)    |
| 109111-0002 | SCKT, 496G40 14.0X12.4-0.40 (SAC305 SOLDER BALLS)      |
| 109111-0003 | SCKT, 496G40 14.0X12.4-0.40 (WITHOUT SOLDER BALLS)     |
| 103864-0066 | PRESS DEVICE INSERT, 14.0 X 12.0 (SOLD SEPARATELY)     |
| 104553-0508 | STENCIL, FLEX, 496BGA 14.0X12.4-0.40 (SOLD SEPARATELY) |
| 105900-0004 | EXTRACTION TOOL, 4 X 53 (SOLD SEPARATELY)              |
| 108639-0119 | ALIGNMENT FRAME, GRY 14.0 X 12.4 (SOLD SEPARATELY)     |

|  |  |   |          |
|--|--|---|----------|
| UNLESS OTHERWISE SPECIFIED - DIMENSIONS ARE IN MILLIMETERS - DIM'S APPLY AFTER PLATING |  | THE INFORMATION CONTAINED IN THIS DRAWING IS THE SOLE PROPERTY OF HSIO TECHNOLOGIES, LLC. ANY REPRODUCTION IN PART OR WHOLE WITHOUT THE WRITTEN PERMISSION OF HSIO TECHNOLOGIES, LLC IS PROHIBITED. |          |
| TOLERANCES UNLESS OTHERWISE NOTED:   |  | CAD GENERATED DRAWING DO NOT MANUALLY UPDATE  |          |
| ANGLES ±1°   | DECIMALS X.X 40.25 X.XX ±0.10 X.XXX ±0.050 | DRAWING APPROVALS   |          |
| LEGEND:  |  | HSIO TECHNOLOGIES, LLC. 13400 68TH AVENUE NORTH MAPLE GROVE, MN 55311. 763-447-6260   |          |
| (X) NOTE CALLOUT   | (1) REVISION CHANGE                        | NAME  | DATE     |
| (X) ITEM NUMBER  |  | R. SEWHARACK  | 01/24/19 |
|  |  | APV   |          |
|  |  | N. ST JACQUE  | 01/24/19 |
|  |  | SCKT, 496G40 14.0X12.4-0.40   |          |
|  |  | THIRD ANGLE PROJECTION  |          |
|  |  | SCALE   | 1 of 2   |
|  |  | MATERIAL  | CIRLEX   |

| SOCKET FOR DEVICES THAT ARE WITHIN THESE SPECIFICATIONS |     |           |                          |           |        |
|---|-----|-----------|--------------------------|-----------|--------|
| Lead Count  | N   | 496       | Package Size             | D         | 14.00  |
| Columns   | ND  | 28        |                          | E         | 12.40  |
| Rows  | NE  | 27        | Ball Spacing             | D1        | 10.800 |
| Pitch   | e   | 0.400     |                          | E1        | 10.400 |
| Ball Size   | b   | 0.25±0.05 | Encapsulant/<br>Top Size | D2        | N/A    |
| Total Thickness   | A   | N/A       |                          | E2        | N/A    |
| Ball Height   | A1  | 0.175 MIN | Pattern Style            | PERIMETER |        |
| Substrate Thickness                                     | A2  | N/A       | Perimeter Rows           | VAR       |        |
| Top Thickness   | A3  |           | Center Array             | 15 X 12   |        |
| Form Tolerances   |     |           |                          |           |        |
| Edge  | aaa | N/A       | Bottom                   | ddd       | N/A    |
| Substrate   | bbb | N/A       | Position                 | eee       | N/A    |
| Top   | ccc | N/A       | Position                 | fff       | N/A    |

ALL DIMENSIONS ARE IN MILLIMETERS.



|  |                       |   |           |
|--|-----------------------|---|-----------|
| THE INFORMATION CONTAINED IN THIS DRAWING IS THE SOLE PROPERTY OF HSIO TECHNOLOGIES, LLC. ANY REPRODUCTION IN PART OR WHOLE WITHOUT THE WRITTEN PERMISSION OF HSIO TECHNOLOGIES, LLC. IS PROHIBITED. |                       |   |           |
| UNLESS OTHERWISE SPECIFIED<br>- DIMENSIONS ARE IN MILLIMETERS<br>- DIM'S APPLY AFTER PLATING   |                       | HSIO TECHNOLOGIES, LLC.<br>13400 68TH AVENUE NORTH<br>MAPLE GROVE, MN 55311. 763-447-6260 |           |
| TOLERANCES UNLESS OTHERWISE NOTED:<br>ANGLES    DECIMALS<br>±1°        XX        ±0.25<br>XXX       ±0.10<br>XXXX       ±0.050   |                       | TITLE<br>SCKT, 496G40 14.0X12.4-0.40  |           |
| LEGEND:<br>① NOTE CALLOUT<br>② REVISION CHANGE<br>③ ITEM NUMBER  | SCALE<br>C    AUTOCAD | DRAWING NO.<br>109111-XXXX  | REV.<br>B |
| SCALE<br>NATURAL   |                       | SHEET<br>2 of 2   |           |

See Pg 1