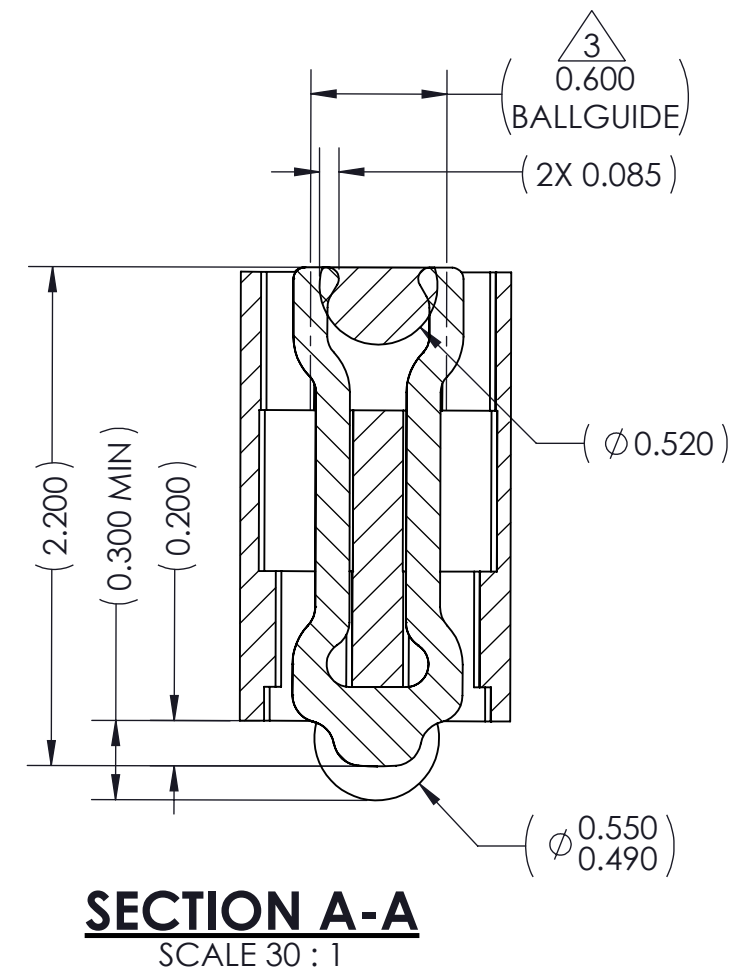
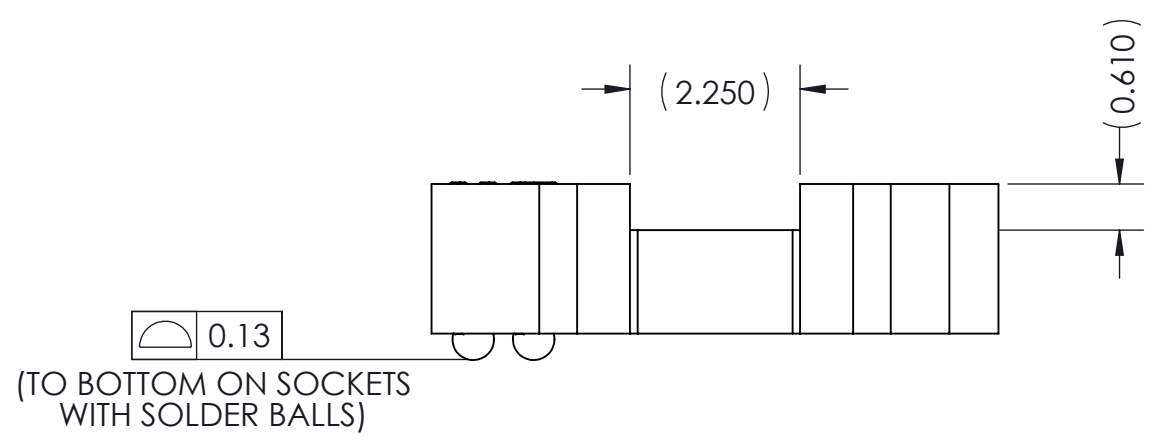
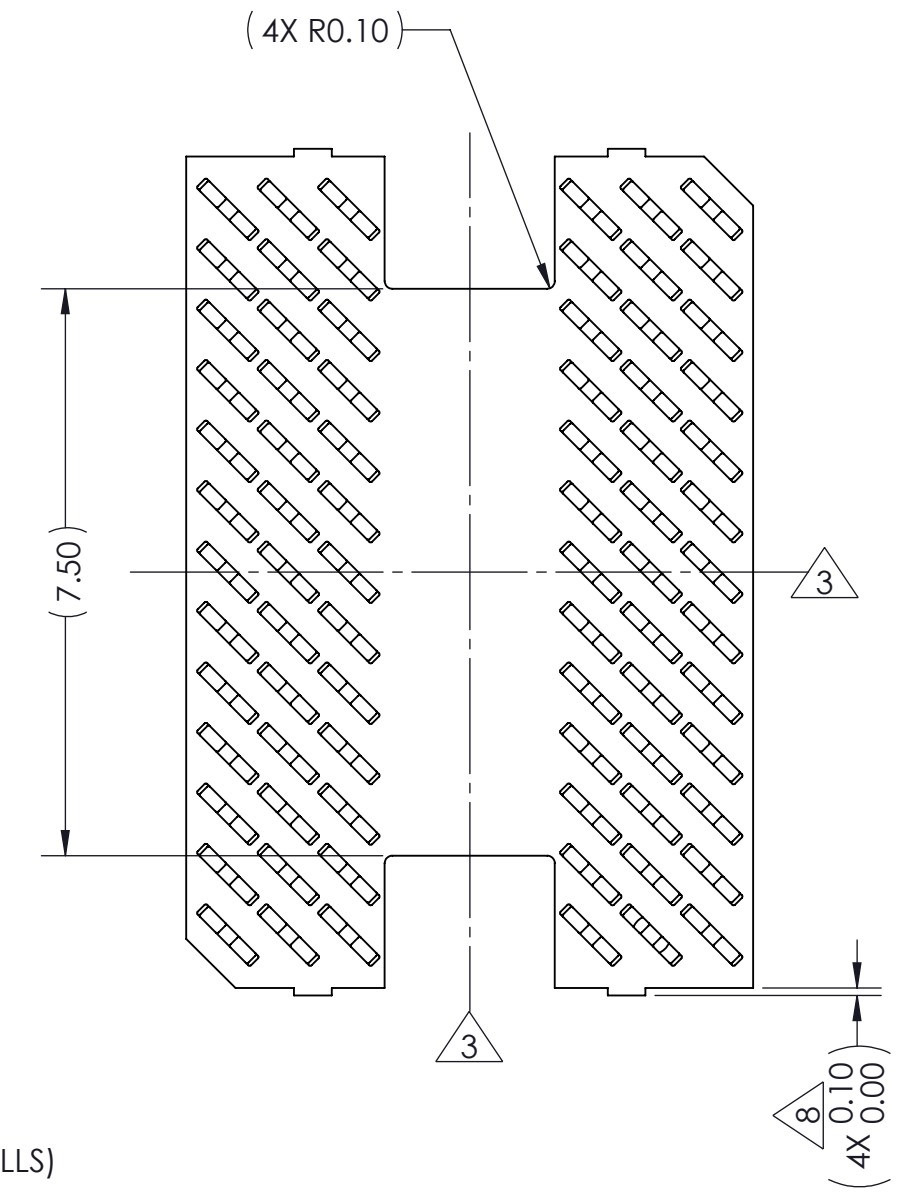
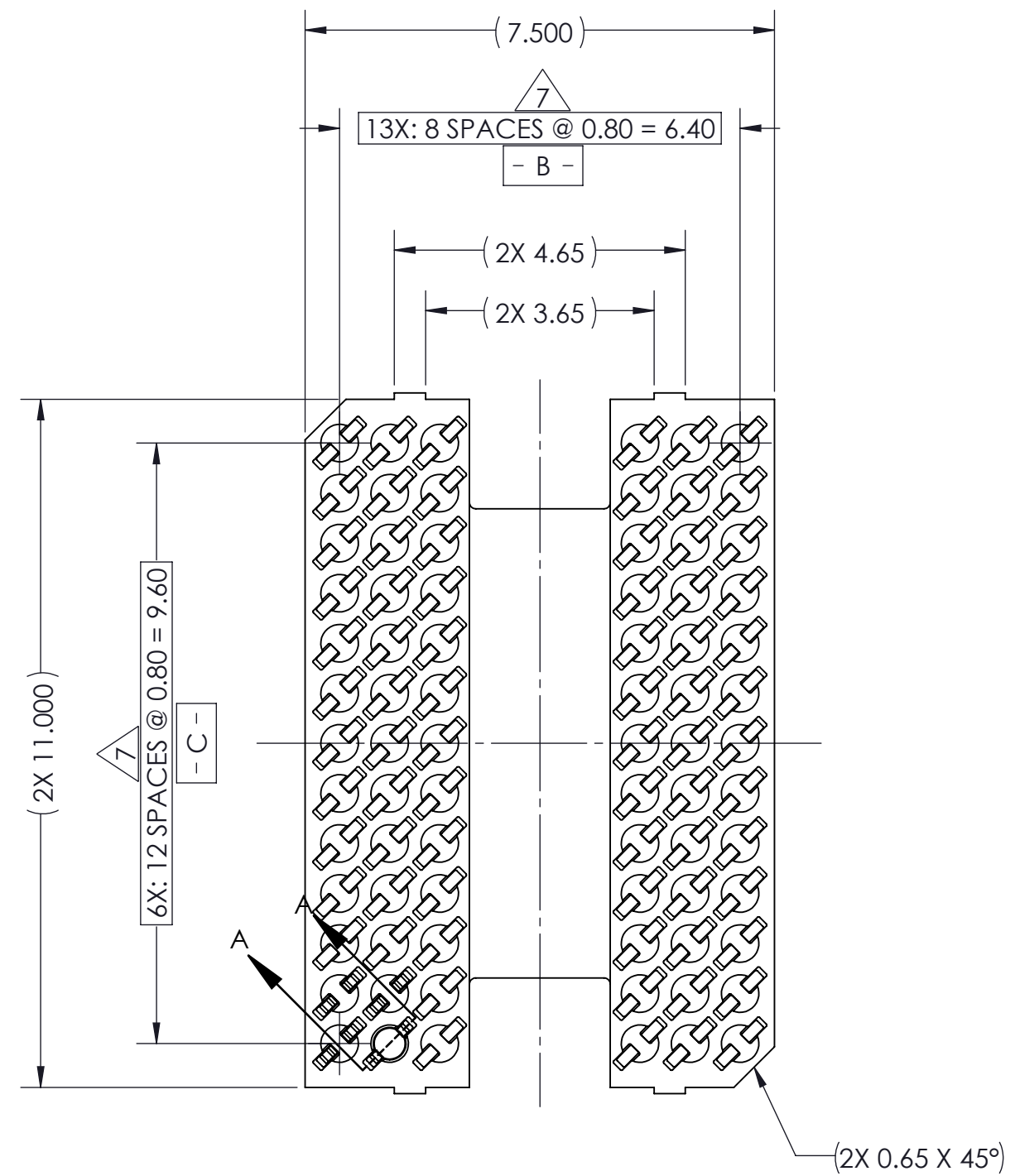


REV	ECO	BY	DESCRIPTION	APV	DATE
A	31809	RS	INITIAL DESIGN	NSJ	07/27/16



NOTES:

- UNLESS OTHERWISE NOTED, ALL FEATURES LOCATED  $\oplus 0.10$  A B C
- DATUM'S - B - AND - C - ARE DETERMINED BY  $\phi 0.600$  FEATURES ON CORNER SLOTS.
- CENTER OF CONTACT PATTERN.
- REFERENCE HSIO TECHNOLOGIES SPECIFICATION 700001-0001 FOR SOLDER ATTACHMENT.
- REFERENCE HSIO TECHNOLOGIES SPECIFICATION 700001-0002 FOR APPLICATION NOTES.
- DIMENSION LOCATES CENTER OF CONTACT/SLOT.
- TOOLING MARKS PERMITTED. MAXIMUM 0.10 PROTRUSION SHOWN.
- NOT ALL SOLDER BALLS SHOWN TO MINIMIZE FILE SIZE.

PART NUMBER	DESCRIPTION
111015-0001	SCKT, 78GRY 7.5X11.0-0.80 (EUTECTIC SOLDER BALL)
111015-0002	SCKT, 78GRY 7.5X11.0-0.80 (SAC305 SOLDER BALL)
111015-0003	SCKT, 78GRY 7.5X11.0-0.80 (WITHOUT SOLDER BALL)
103864-0119	PRESS DEVICE INSERT, 7.5 X 10.3 (SOLD SEPARATELY)
104553-0441	STENCIL, FLEX, 78GRY 7.5X11.0-0.80 (SOLD SEPARATELY)
105900-0004	EXTRACTION TOOL, 4 X 53 (SOLD SEPARATELY)

**HSIO technologies**  
PROPRIETARY AND CONFIDENTIAL

THE INFORMATION CONTAINED IN THIS DRAWING IS THE SOLE PROPERTY OF HSIO TECHNOLOGIES, LLC. ANY REPRODUCTION IN PART OR AS A WHOLE WITHOUT THE WRITTEN PERMISSION OF HSIO TECHNOLOGIES, LLC IS PROHIBITED.

UNLESS OTHERWISE SPECIFIED:  
DIMENSIONS ARE IN MILLIMETERS  
TOLERANCES:  
ANGULAR:  $\pm 1^\circ$   
X.X  $\pm 0.25$   
X.XX  $\pm 0.10$   
X.XXX  $\pm 0.050$

INTERPRET GEOMETRIC TOLERANCING PER:  
MATERIAL SEE B.O.M  
FINISH  
DO NOT SCALE DRAWING

DRAWN	RS	07/27/16
CHECKED	NSJ	07/27/16

LEGEND:  
 NOTE CALLOUT  
 REVISION CHANGE  
 ITEM NUMBER

**HSIO TECHNOLOGIES, LLC.**  
13400 68th AVENUE NORTH  
MAPLE GROVE, MINNESOTA 55311  
763-447-6260

TITLE:  
SCKT, 78GRY 7.5X11.0-0.80

DWG. NO. **111015-XXXX** REV **A**

SCALE: 10:1 SIZE: C SHEET 1 OF 2

**SECTION A-A**  
SCALE 30 : 1

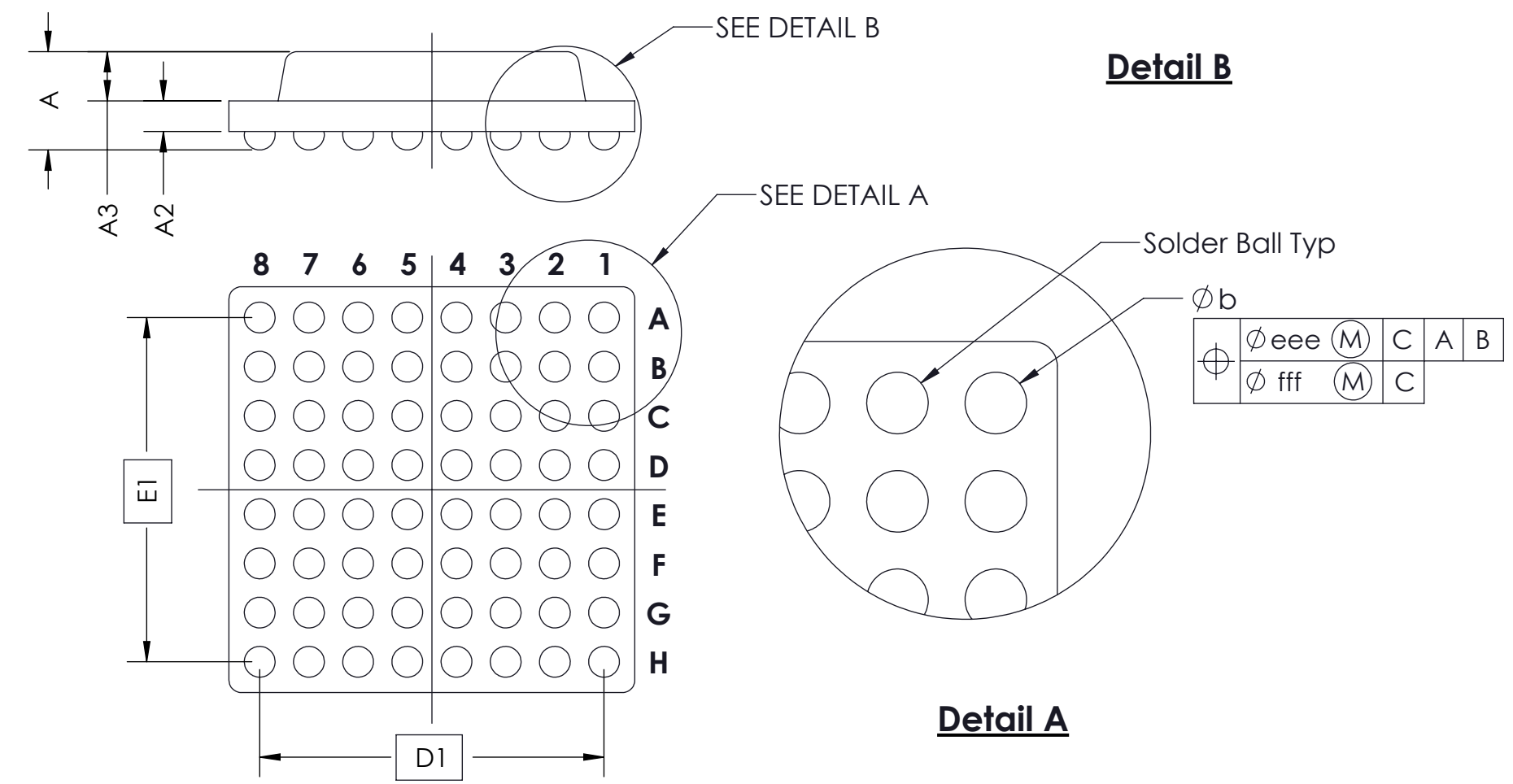
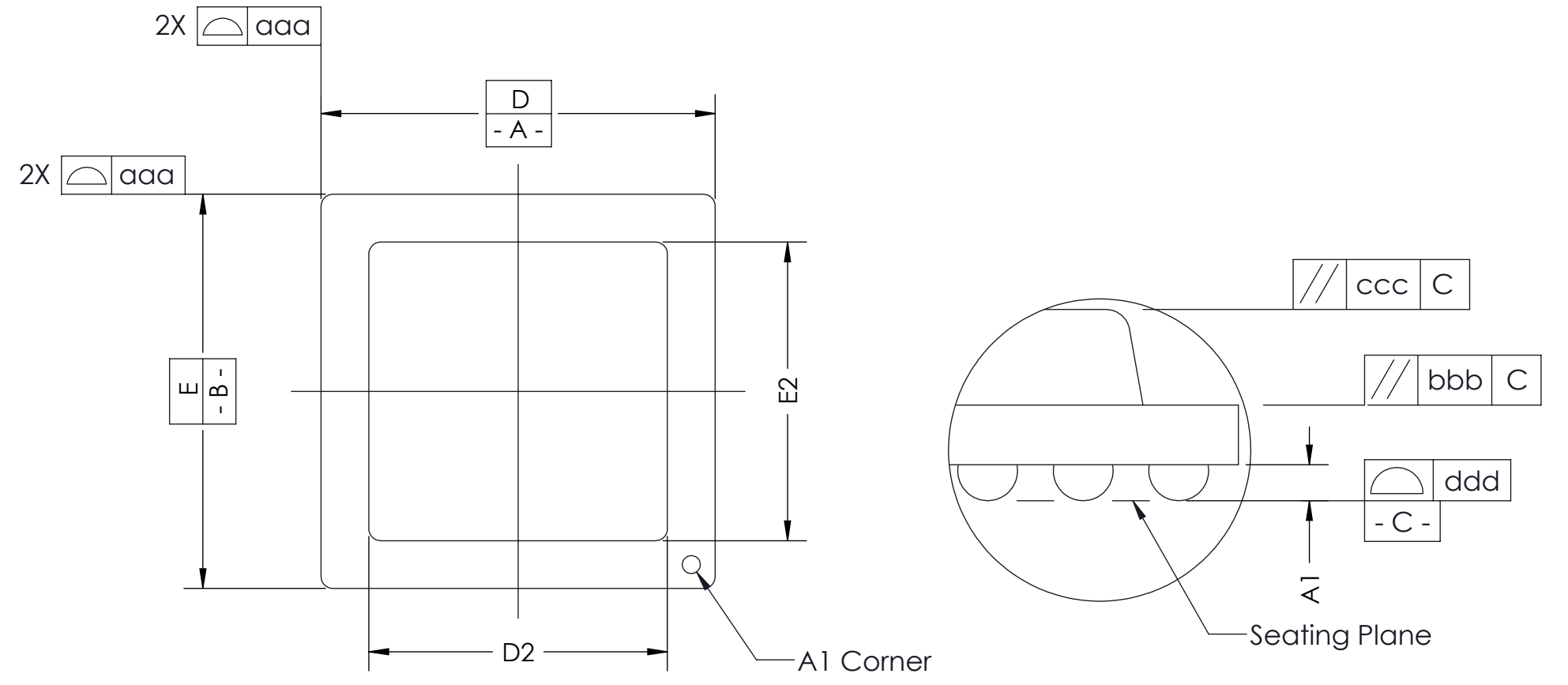
**SOCKET FOR DEVICES THAT ARE WITHIN THESE SPECIFICATIONS**

Lead Count	<b>N</b>	78	Package Size	<b>D</b>	7.50
Columns	<b>ND</b>	6		<b>E</b>	11.00
Rows	<b>NE</b>	13	Ball Spacing	<b>D1</b>	6.400
Pitch	<b>e</b>	0.800		<b>E1</b>	9.600
Ball Size	<b>b</b>	0.50±0.05	Encapsulant/ Top Size	<b>D2</b>	N/A
Total Thickness	<b>A</b>	N/A		<b>E2</b>	N/A
Ball Height	<b>A1</b>	0.30 MIN	Pattern Style	IRREGULAR	
Substrate Thickness	<b>A2</b>	N/A	Perimeter Rows	N/A	
Top Thickness	<b>A3</b>		Center Array	N/A	

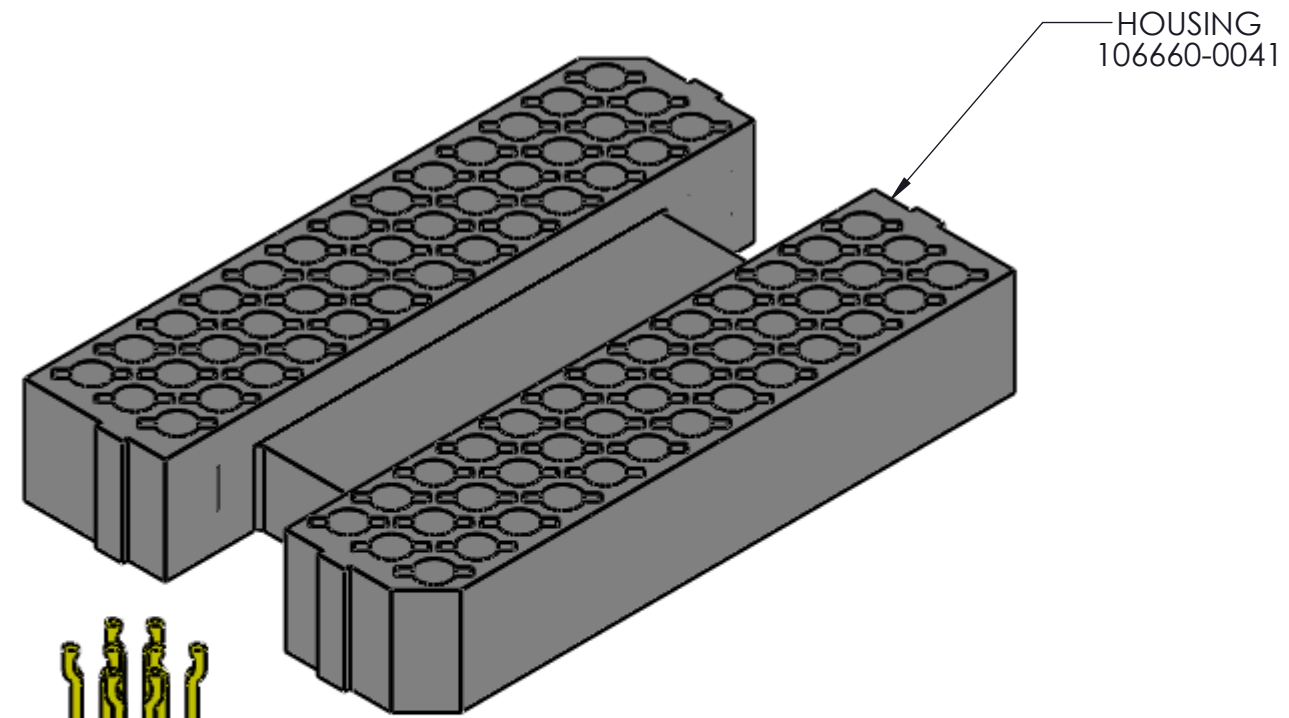
**Form Tolerances**

Edge	<b>aaa</b>	N/A	Bottom	<b>ddd</b>	N/A
Substrate	<b>bbb</b>	N/A	Position	<b>eee</b>	N/A
Top	<b>ccc</b>	N/A	Position	<b>fff</b>	N/A

\* ALL DIMENSIONS ARE IN MILLIMETERS.



**Generic Representation with Full Grid Array**



<p><b>HSIO technologies</b> PROPRIETARY AND CONFIDENTIAL</p> <p>THE INFORMATION CONTAINED IN THIS DRAWING IS THE SOLE PROPERTY OF HSIO TECHNOLOGIES, LLC. ANY REPRODUCTION IN PART OR AS A WHOLE WITHOUT THE WRITTEN PERMISSION OF HSIO TECHNOLOGIES, LLC IS PROHIBITED.</p>	UNLESS OTHERWISE SPECIFIED:	NAME	DATE	<b>HSIO TECHNOLOGIES, LLC.</b> 13400 68th AVENUE NORTH MAPLE GROVE, MINNESOTA 55311 763-447-6260	
	DIMENSIONS ARE IN MILLIMETERS	DRAWN	RS		07/27/16
	TOLERANCES:	CHECKED	NSJ	07/27/16	TITLE: SCKT, 78GRY 7.5X11.0-0.80
	ANGULAR: ± 1°	LEGEND:		DWG. NO. <b>111015-XXXX</b>	
X.X ±0.25	△ NOTE CALLOUT	REVISION CHANGE ITEM NUMBER	REV <b>A</b>		
X.XX ±0.10	○ REVISION CHANGE		SCALE: 10:1		SIZE: C
X.XXX ±0.050	○ ITEM NUMBER	DO NOT SCALE DRAWING			