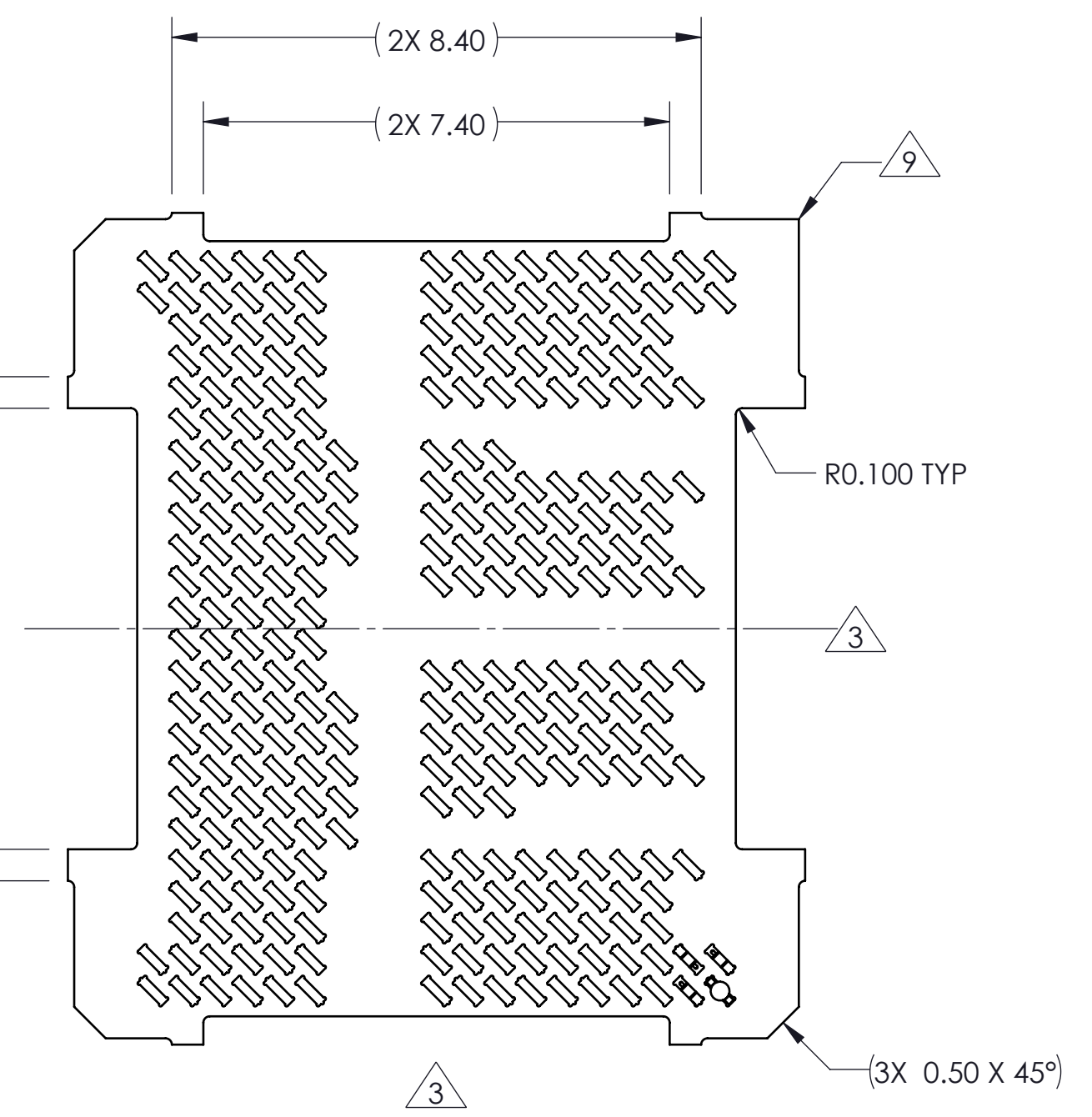
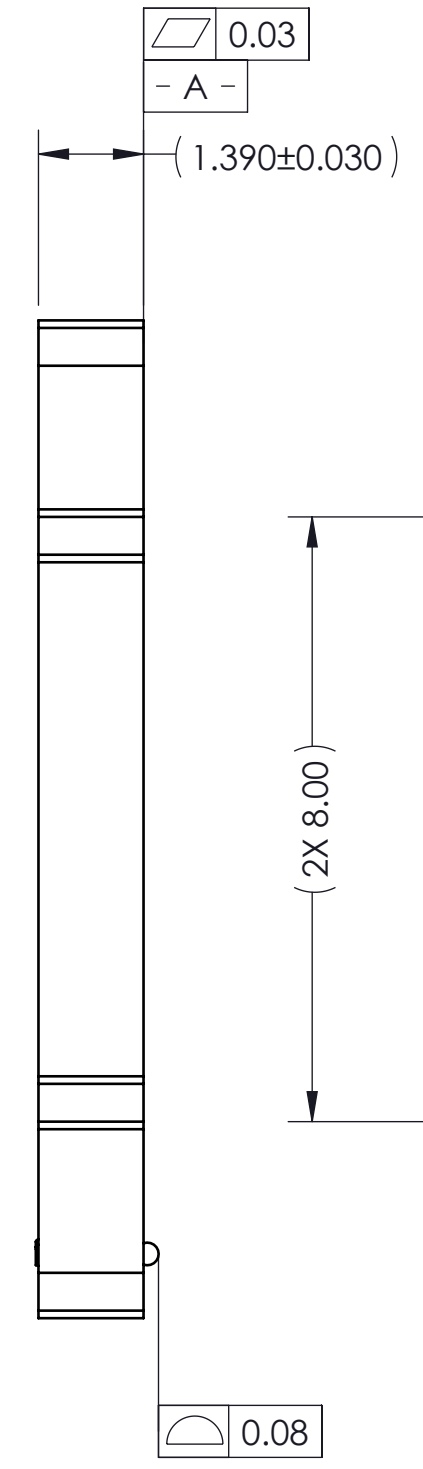
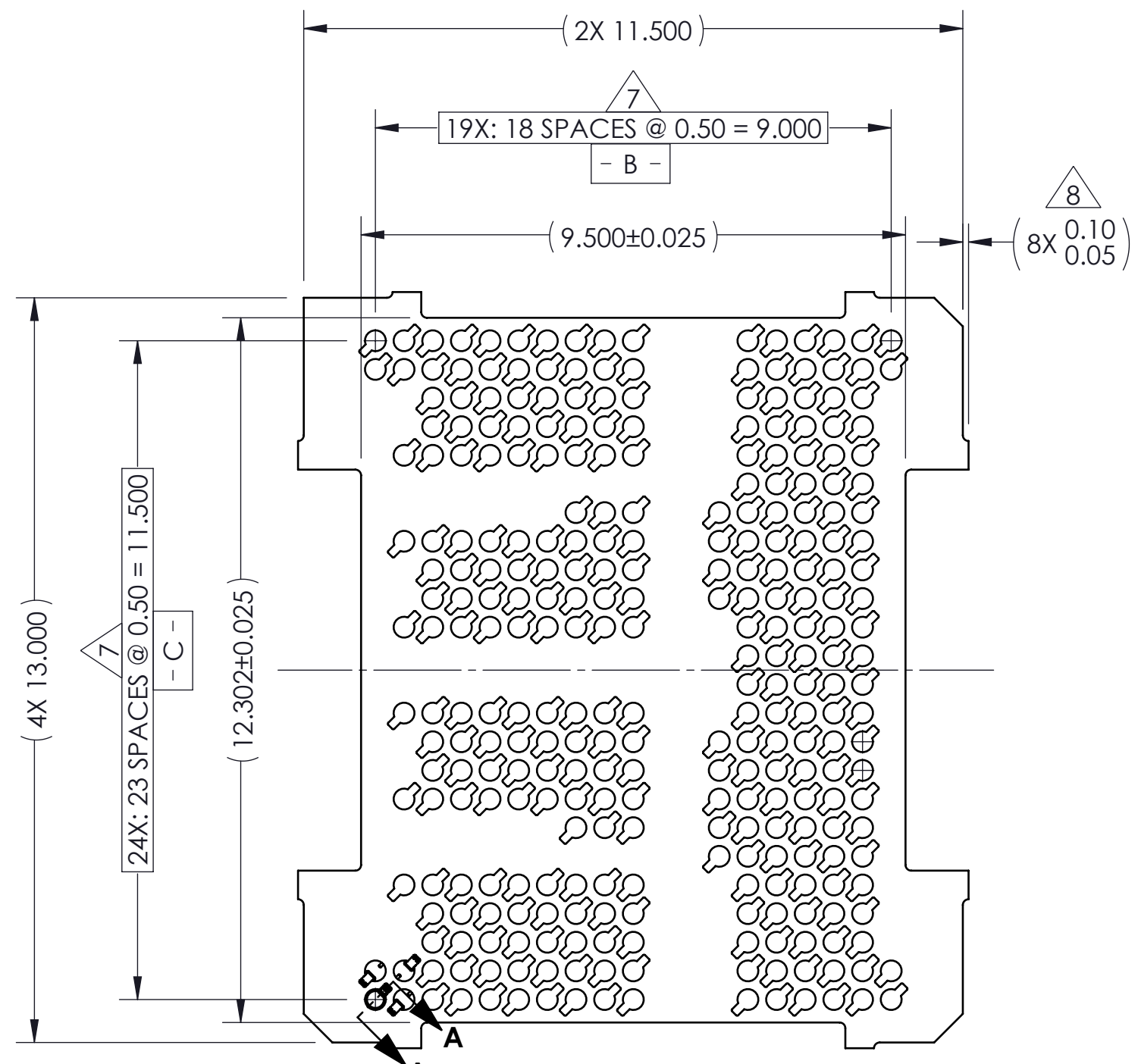
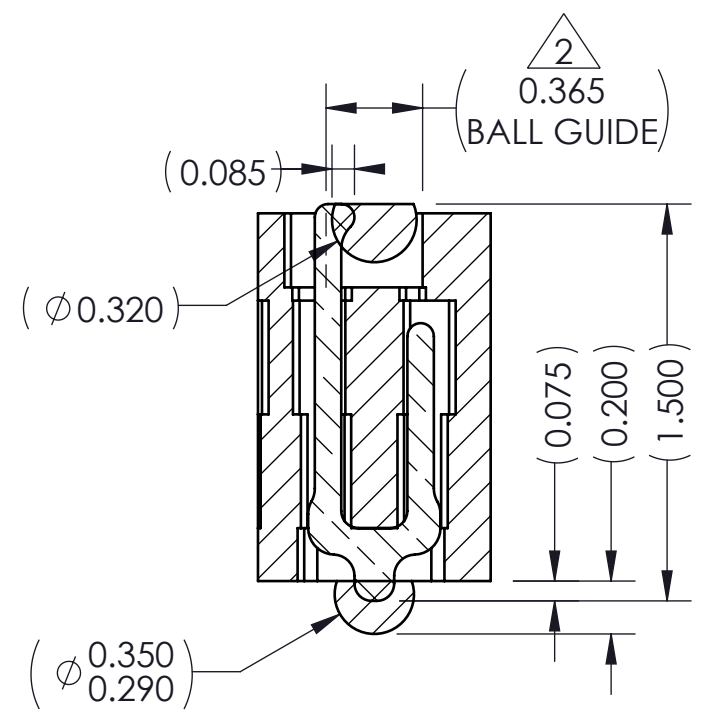


REV	ECO	BY	DESCRIPTION	APV	DATE
A	5317	DJP	INITIAL DESIGN	JJB	2/3/20



0.13  
(TO BOTTOM ON SOCKETS WITH SOLDER BALLS)

0.08  
(TO BOTTOM OF CONTACT ON SOCKETS WITHOUT SOLDER BALLS)



**SECTION A-A**  
SCALE: 35:1

PART NUMBER	DESCRIPTION
GR1014-0001	SCKT, 297G40 11.5X13.0-0.50 (EUTECTIC SOLDER BALL)
GR1014-0002	SCKT, 297G40 11.5X13.0-0.50 (SAC305 SOLDER BALL)
GR1014-0003	SCKT, 297G40 11.5 X 13.0-0.50 (WITHOUT SOLDER BALL)
103864-0128	PRESS DEVICE INSERT, 11.5 X 13.0 (SOLD SEPARATELY)
104553-0549	STENCIL, FLEX, 297G40 11.5 X 13.0-0.50 (SOLD SEPARATELY)
105900-0004	EXTRACTION TOOL, 4 X 53 (SOLD SEPARATELY)
108639-0003	ALIGNMENT FRAME, GRY 11.5 X 13.0 (SOLD SEPARATELY)

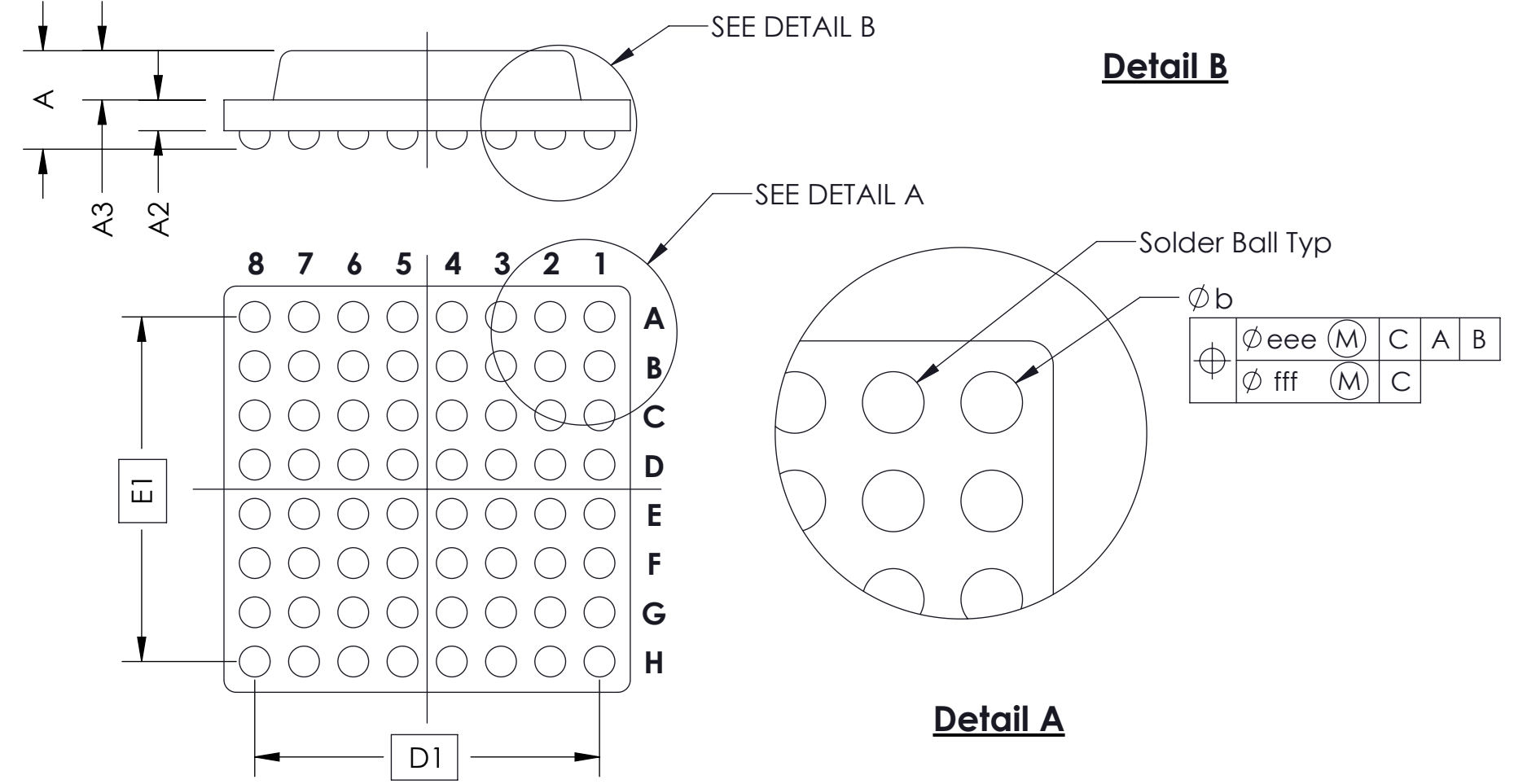
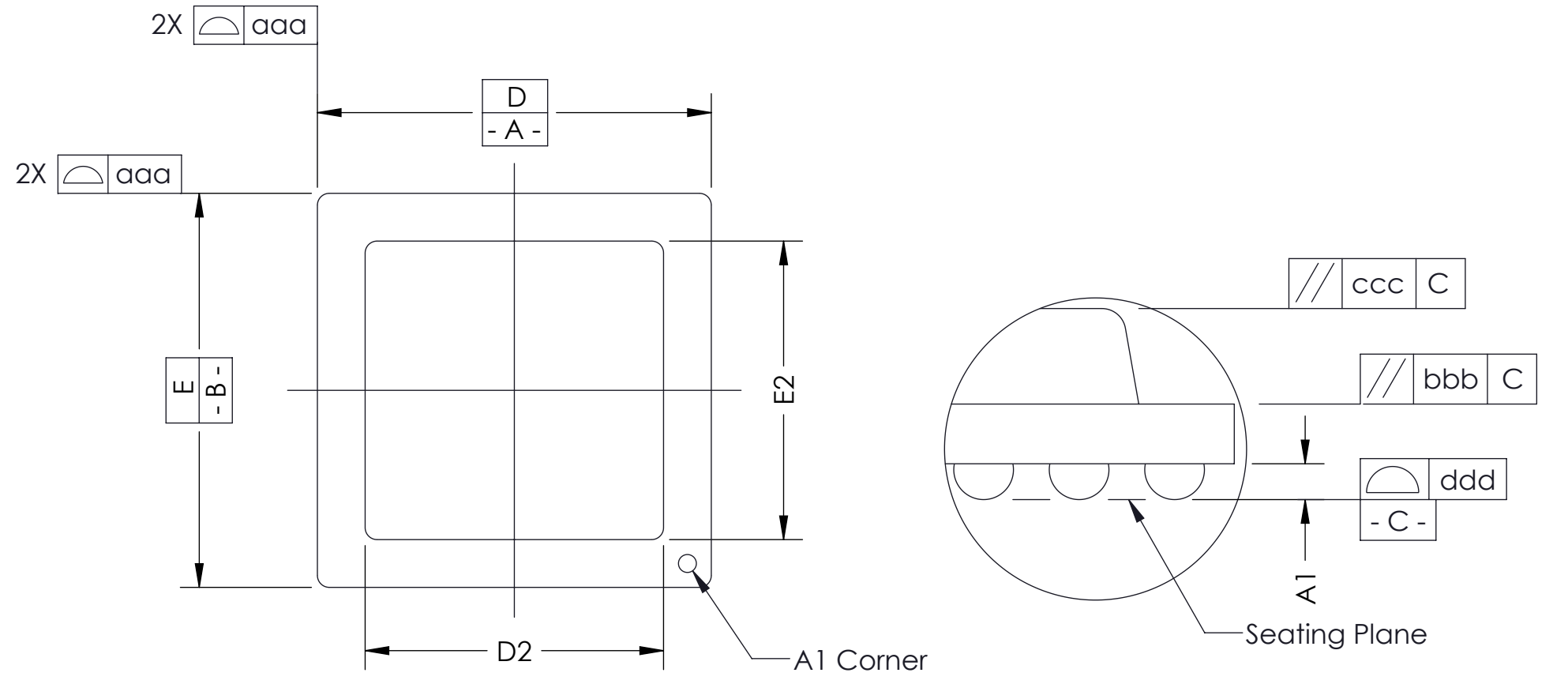
Notes:

- Unless otherwise noted, all features located  $\oplus 0.10$  A S C
- Datum's - B - and - C - are determined by  $\phi 0.365$  features on corner slots.
- Center of contact pattern.
- Reference HSIO Technologies specification 700001-0001 for solder attachment.
- Reference HSIO Technologies specification 700001-0002 for application notes.
- Dimension locates center of contact/slot.
- Tooling marks permitted. Maximum 0.10 protrusion shown.
- Pin "A1" indicator.

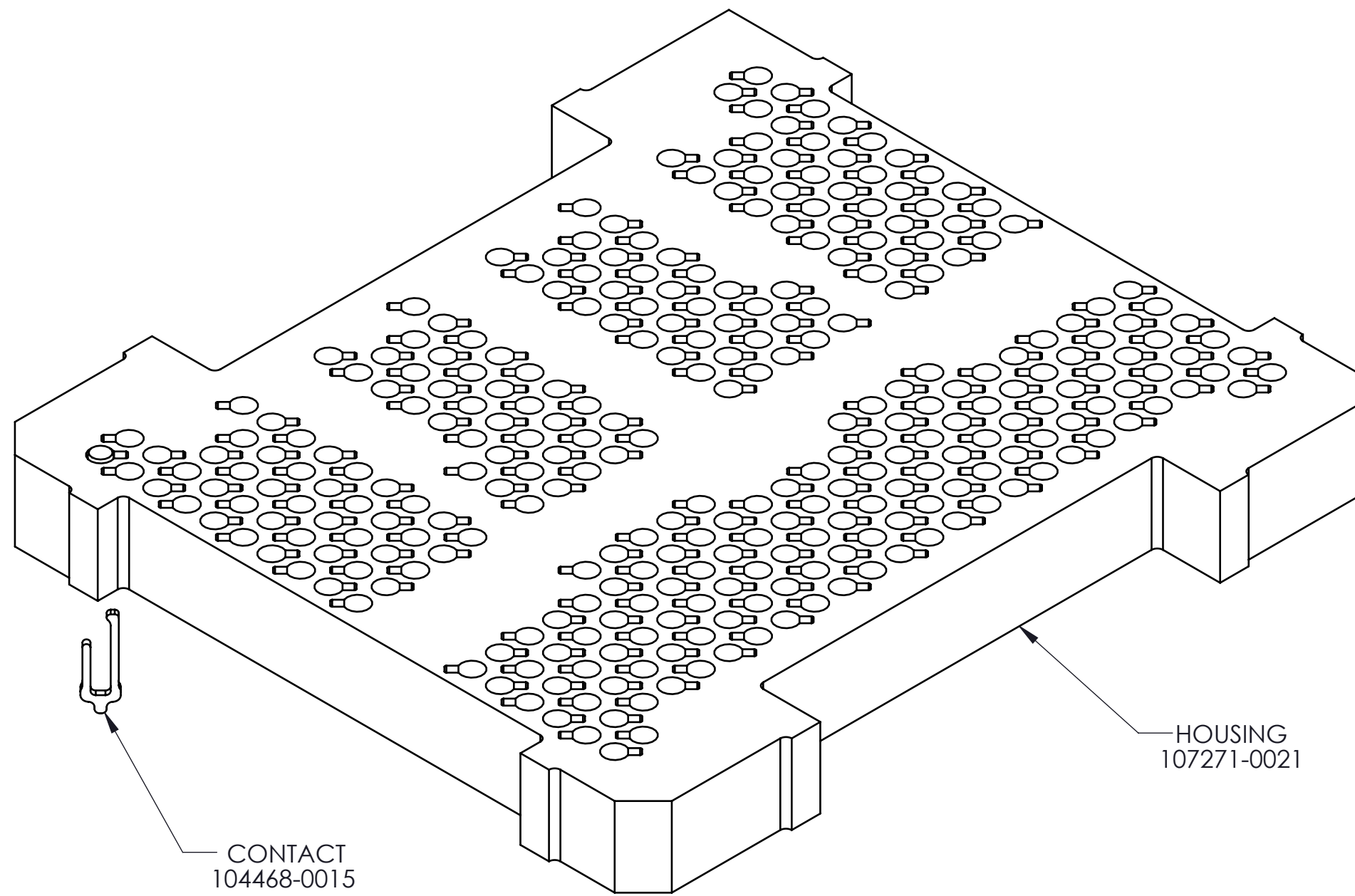
<p><b>PROPRIETARY AND CONFIDENTIAL</b> THE INFORMATION CONTAINED IN THIS DRAWING IS THE SOLE PROPERTY OF IRONWOOD ELECTRONICS, INC. ANY REPRODUCTION IN PART OR AS A WHOLE WITHOUT THE WRITTEN PERMISSION OF IRONWOOD ELECTRONICS, INC IS PROHIBITED.</p>	UNLESS OTHERWISE SPECIFIED:	NAME	DATE	<b>IRONWOOD ELECTRONICS, INC.</b> 1335 EAGANDALE COURT EAGAN, MINNESOTA 55121 952-229-8200	
	DIMENSIONS ARE IN MILLIMETERS	DRAWN	DJP		02/03/20
	TOLERANCES: ANGULAR: $\pm 1^\circ$ X.X $\pm 0.25$ X.XX $\pm 0.10$ X.XXX $\pm 0.050$	CHECKED	JJB	02/03/20	TITLE: SCKT, 297G40 11.5 X 13.0-0.50
	INTERPRET GEOMETRIC TOLERANCING PER:	LEGEND:		DWG. NO.	
MATERIAL	SEE BOM	△	NOTE CALLOUT	REV	
FINISH		□	REVISION CHANGE	<b>GR1014-XXXX</b>	
DO NOT SCALE DRAWING		○	ITEM NUMBER	SCALE: 10:1	
				SIZE: C	
				SHEET 1 OF 2	

SOCKET FOR DEVICES THAT ARE WITHIN THESE SPECIFICATIONS					
Lead Count	<b>N</b>	297	Package Size	<b>D</b>	11.50
Columns	<b>ND</b>	19		<b>E</b>	13.00
Rows	<b>NE</b>	24	Ball Spacing	<b>D1</b>	9.000
Pitch	<b>e</b>	0.50		<b>E1</b>	11.500
Ball Size	<b>b</b>	0.30±0.050	Encapsulant/ Top Size	<b>D2</b>	N/A
Total Thickness	<b>A</b>	1.20		<b>E2</b>	N/A
Ball Height	<b>A1</b>	0.218 MIN	Pattern Style	IRREGULAR	
Substrate Thickness	<b>A2</b>	N/A	Perimeter Rows	N/A	
Top Thickness	<b>A3</b>		Center Array	N/A	
Form Tolerances					
Edge	<b>aaa</b>	N/A	Bottom	<b>ddd</b>	0.08
Substrate	<b>bbb</b>	N/A	Position	<b>eee</b>	N/A
top	<b>ccc</b>	N/A	Position	<b>fff</b>	N/A

ALL DIMENSIONS IN MILLIMETERS.



**Generic Representation with Full Grid Array**



<p><b>PROPRIETARY AND CONFIDENTIAL</b></p> <p>THE INFORMATION CONTAINED IN THIS DRAWING IS THE SOLE PROPERTY OF IRONWOOD ELECTRONICS, INC. ANY REPRODUCTION IN PART OR AS A WHOLE WITHOUT THE WRITTEN PERMISSION OF IRONWOOD ELECTRONICS, INC IS PROHIBITED.</p>	UNLESS OTHERWISE SPECIFIED:	NAME	DATE	<b>IRONWOOD ELECTRONICS, INC.</b> 1335 EAGANDALE COURT EAGAN, MINNESOTA 55121 952-229-8200	
	DIMENSIONS ARE IN MILLIMETERS	DRAWN	DJP		02/03/20
	TOLERANCES:	CHECKED	JJB	02/03/20	TITLE: SCKT, 297G40 11.5 X 13.0-0.50
	ANGULAR: ± 1°	LEGEND:		DWG. NO. REV <b>GR1014-XXXX</b> A	
X.X ±0.25	△ NOTE CALLOUT	SCALE: 10:1			
X.XX ±0.10	◇ REVISION CHANGE	SIZE: C		SHEET 2 OF 2	
X.XXX ±0.050	○ ITEM NUMBER	SIZE: C			
INTERPRET GEOMETRIC TOLERANCING PER:	MATERIAL		SEE BOM		
FINISH	DO NOT SCALE DRAWING				