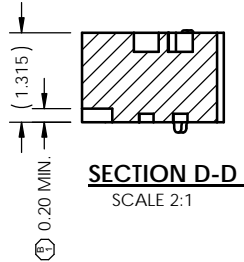
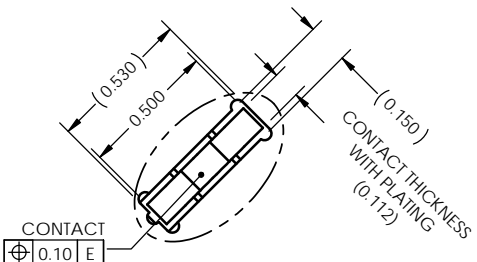


**SOCKET TOP (DUT) VIEW**

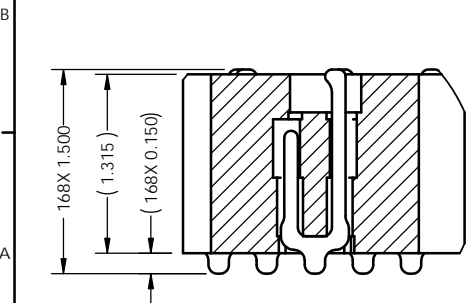
**SOCKET BOTTOM (PWB) VIEW**



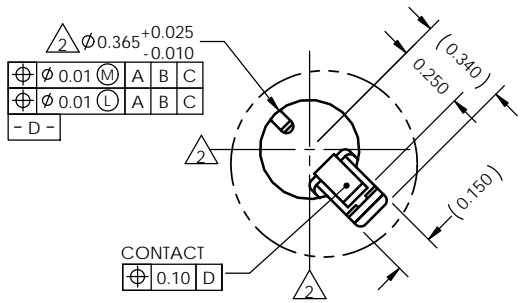
**SECTION D-D**  
SCALE 2:1



**DETAIL C (168X)**  
SCALE 8:1



**SECTION A-A**  
SCALE 4:1



**DETAIL B (168X)**  
SCALE 8:1

REV	ECO	BY	DESCRIPTION	APV	DATE
A	30524	AS	Initial Design	KW	08/17/10
B	30532	AS	Added Section D-D, 1) Added dimension	KW	08/23/10
C	30649	MP	Added "MIN" to pocket depth	MP	12/09/10
D	31156	WB	Updated to current standard	KW	08/13/12

Notes:

- Reference R&D Interconnect Solutions specification 103862-0004 for solder attachment.
- Dimension locates center of contact/ slot.
- Reference R&D Interconnect Solutions specification 103863-0001 for application notes.
- Footprint part number is 104311-0179.
- Datums B and C are determined by  $\phi 0.365$  features on corner slots.
- Tooling marks permitted. Maximum 0.10 protrusion (shown).
- E - Center of Ball Pattern.
- Unless otherwise noted, all features located  $\oplus 0.10$  A B C
- Press size 12.00X12.00.
- Not all contacts shown to reduce file size.

Parts List			
Item	Qty	Part Number	Description
-	-	107022-0042	SKT, 168G4012-0.50, CUSTOM
1	1	107612-0002	CS, 168G4012-0.50, W/O, SB
-	-	103684-0002	PRESS, DEVICE INSERT (SOLD SEPARATELY)
-	-	105900-0004	EXTRACTION TOOL, 4X53 (SOLD SEPARATELY)
-	-	107030-0042	STEN, FLEX, 168G4012-0.50 (SOLD SEPARATELY)

UNLESS OTHERWISE SPECIFIED DIMENSIONS ARE IN MILLIMETERS DIMS APPLY AFTER PLATING TOLERANCES UNLESS OTHERWISE NOTED

THE INFORMATION CONTAINED IN THIS DRAWING IS THE SOLE PROPERTY OF R&D INTERCONNECT SOLUTIONS. ANY REPRODUCTION IN PART OR WHOLE WITHOUT THE WRITTEN PERMISSION OF R&D INTERCONNECT SOLUTIONS IS PROHIBITED.

CAD GENERATED DRAWING DO NOT MANUALLY UPDATE

7115 NORTHLAND TERRACE SUITE 400 BROOKLYN PARK, MN 55428 (763) 509-0066

**DRAWING APPROVALS**

DESIGN: A. Seiberlich	DATE: 08/17/10
APPV: K. Wilson	DATE: 08/17/10

**SCKT, 168G4012-0.50, CUSTOM**

LEGEND:

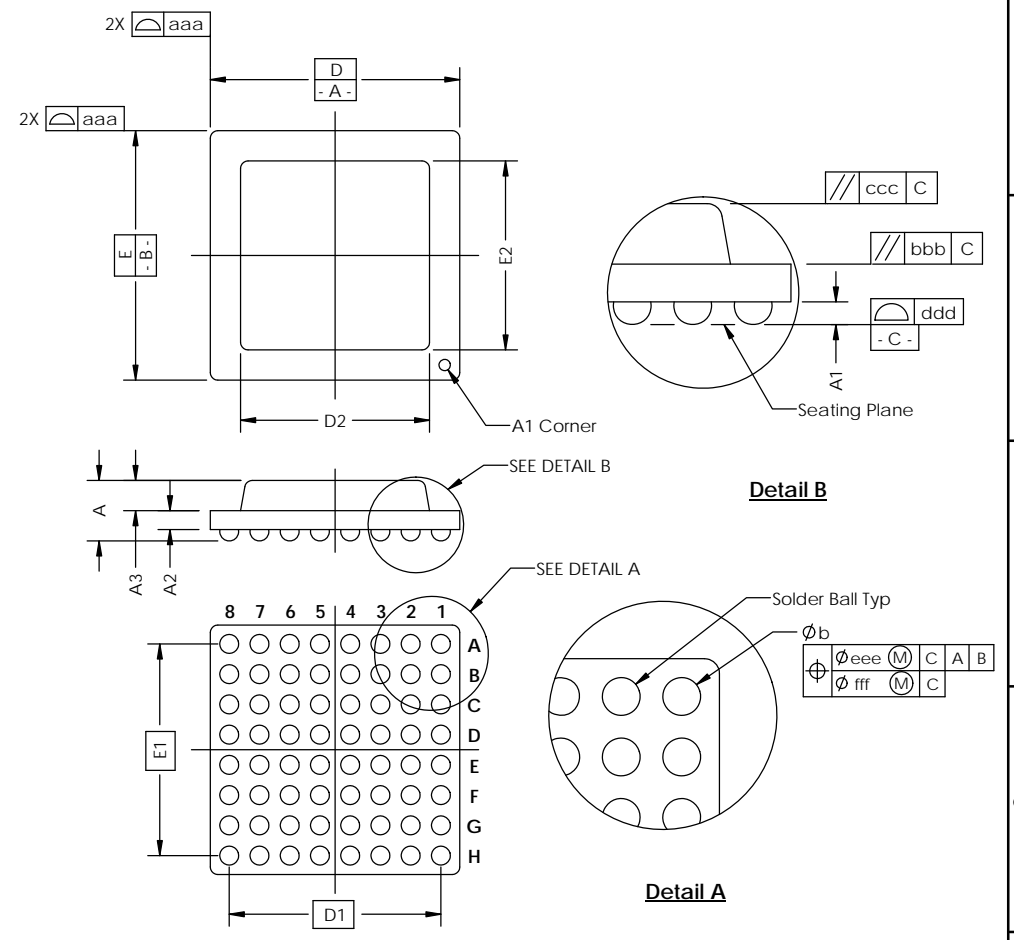
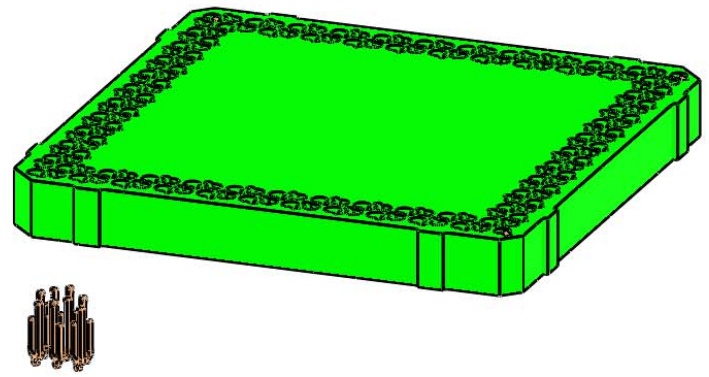
- NOTE CALLOUT
- REVISION CHANGE
- ITEM NUMBER

THIRD ANGLE PROJECTION

SCALE: C	CUSTOMER: SOLIDWORKS	DESCRIPTION: 107022-0042	SHEET: D
SEE BOM		1 of 2	

SOCKET FOR DEVICES THAT ARE WITHIN THESE SPECIFICATIONS					
Lead Count	<b>N</b>	168	Package Size	<b>D</b>	12.00
Columns	<b>ND</b>	23		<b>E</b>	12.00
Rows	<b>NE</b>	23	Ball Spacing	<b>D1</b>	11.000
Pitch	<b>e</b>	0.50		<b>E1</b>	11.000
Ball Size	<b>b</b>	0.30±0.05	Encapsulant/ Top Size	<b>D2</b>	n/a
Total Thickness	<b>A</b>	n/a		<b>E2</b>	n/a
Ball Height	<b>A1</b>	0.225 MIN	Pattern Style	Full OR Irregular *	
Substrate Thickness	<b>A2</b>	n/a	Perimeter Rows	n/a	
Top Thickness	<b>A3</b>		Center Array	n/a	
Form Tolerances					
Edge	<b>aaa</b>	0.10	Bottom	<b>ddd</b>	0.08
Substrate	<b>bbb</b>	0.10	Position	<b>eee</b>	0.10
top	<b>ccc</b>	0.10	Position	<b>fff</b>	0.05

All dimensions are in millimeters.  
\* See footprint for pattern details.



**Generic Representation with Full Grid Array**

<small>THE INFORMATION CONTAINED IN THIS DRAWING IS THE SOLE PROPERTY OF R&amp;D INTERCONNECT SOLUTIONS. ANY REPRODUCTION IN PART OR WHOLE WITHOUT THE WRITTEN PERMISSION OF R&amp;D INTERCONNECT SOLUTIONS IS PROHIBITED.</small>			
<small>UNLESS OTHERWISE SPECIFIED - DIMENSIONS ARE IN MILLIMETERS - DIMS APPLY AFTER PLATING TOLERANCES UNLESS OTHERWISE NOTED:</small>		7115 NORTHLAND TERRACE, SUITE 400 BROOKLYN PARK, MN 55428 (763) 509-0066	
<small>DECIMALS X.X ±0.25 X.XX ±0.10 X.XXX ±0.050</small>	<b>SCKT, 168G4012-0.50, CUSTOM</b>		
<small>LEGEND:</small> NOTE CALLOUT REVISION CHANGE ITEM NUMBER	<small>DATE FORNAT</small> <b>C</b> SOLIDWORKS	<small>DRAWING NO</small> <b>107022-0042</b>	<small>REV</small> <b>D</b>
<small>SCALE</small> See Page 1		<small>SHEET</small> 2 of 2	